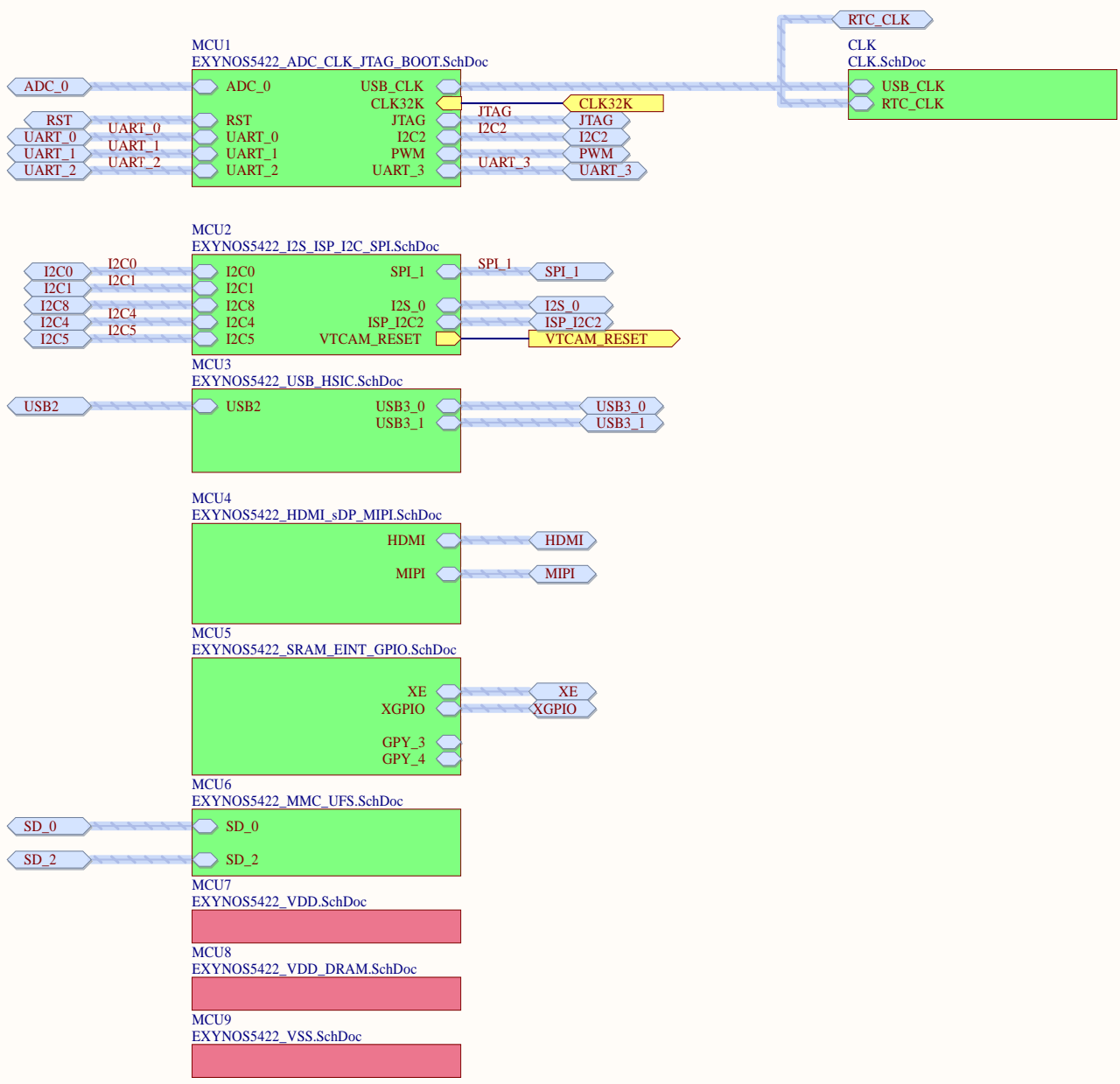



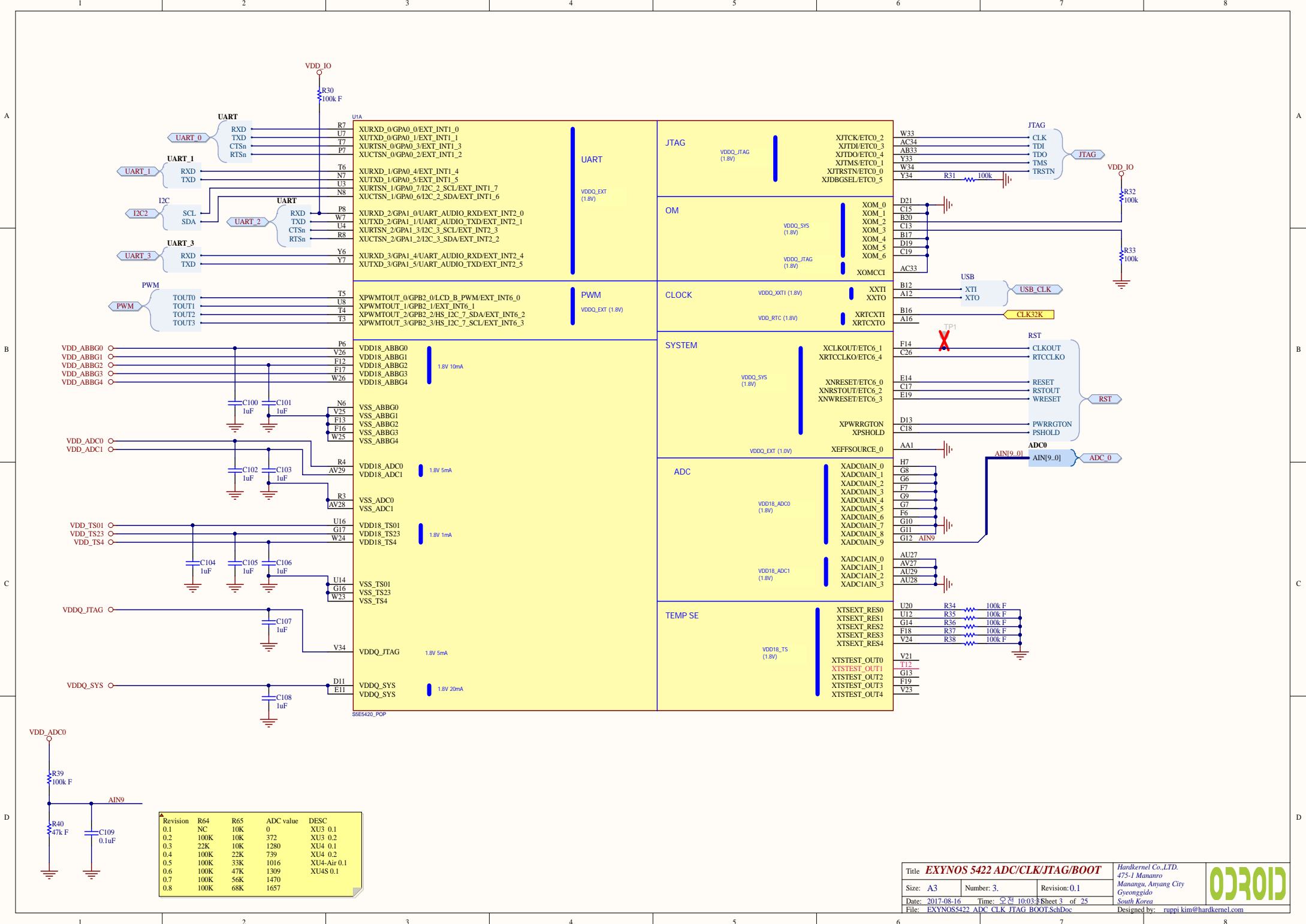
**Mounting Holes**



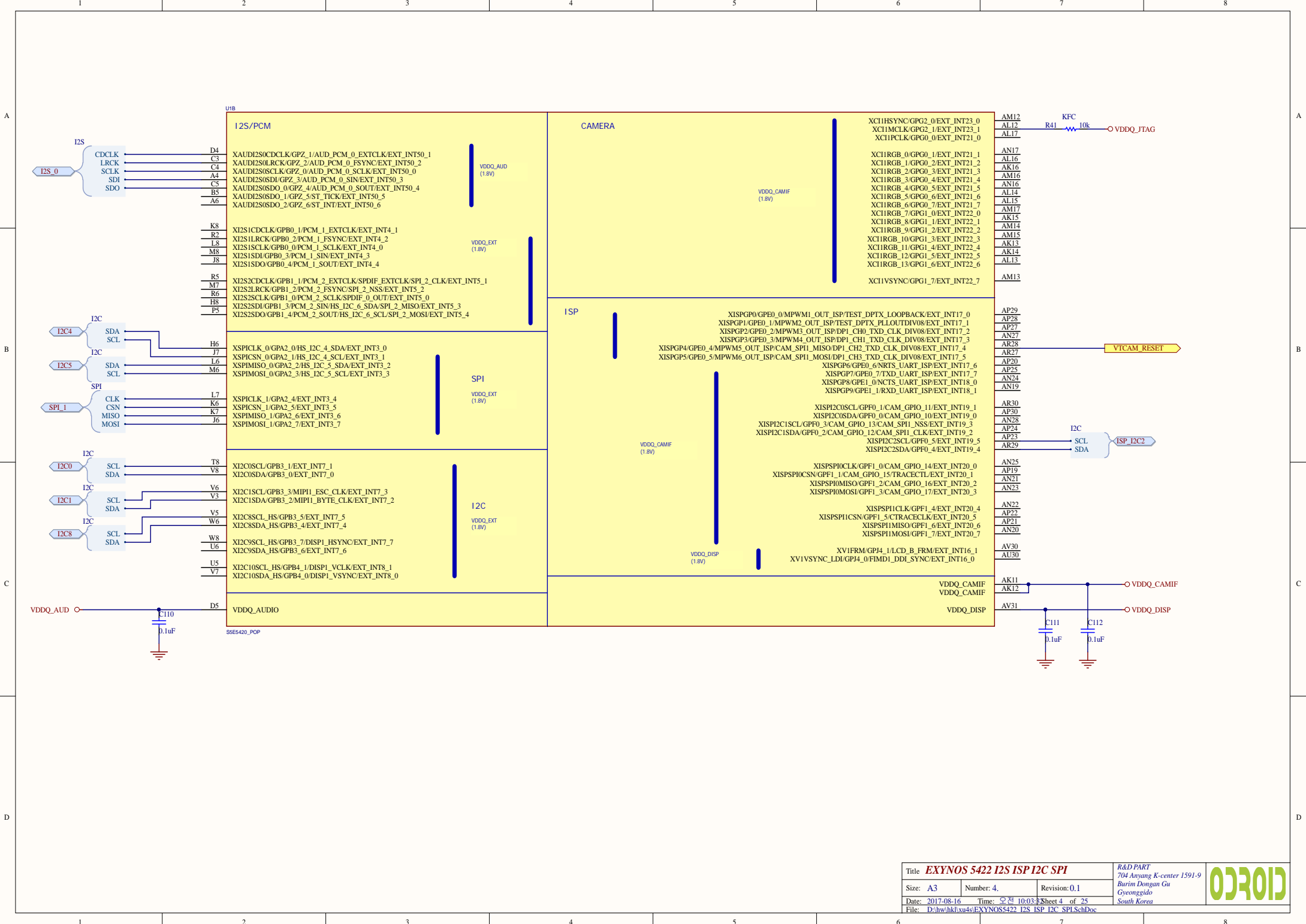
**Heat Sink**

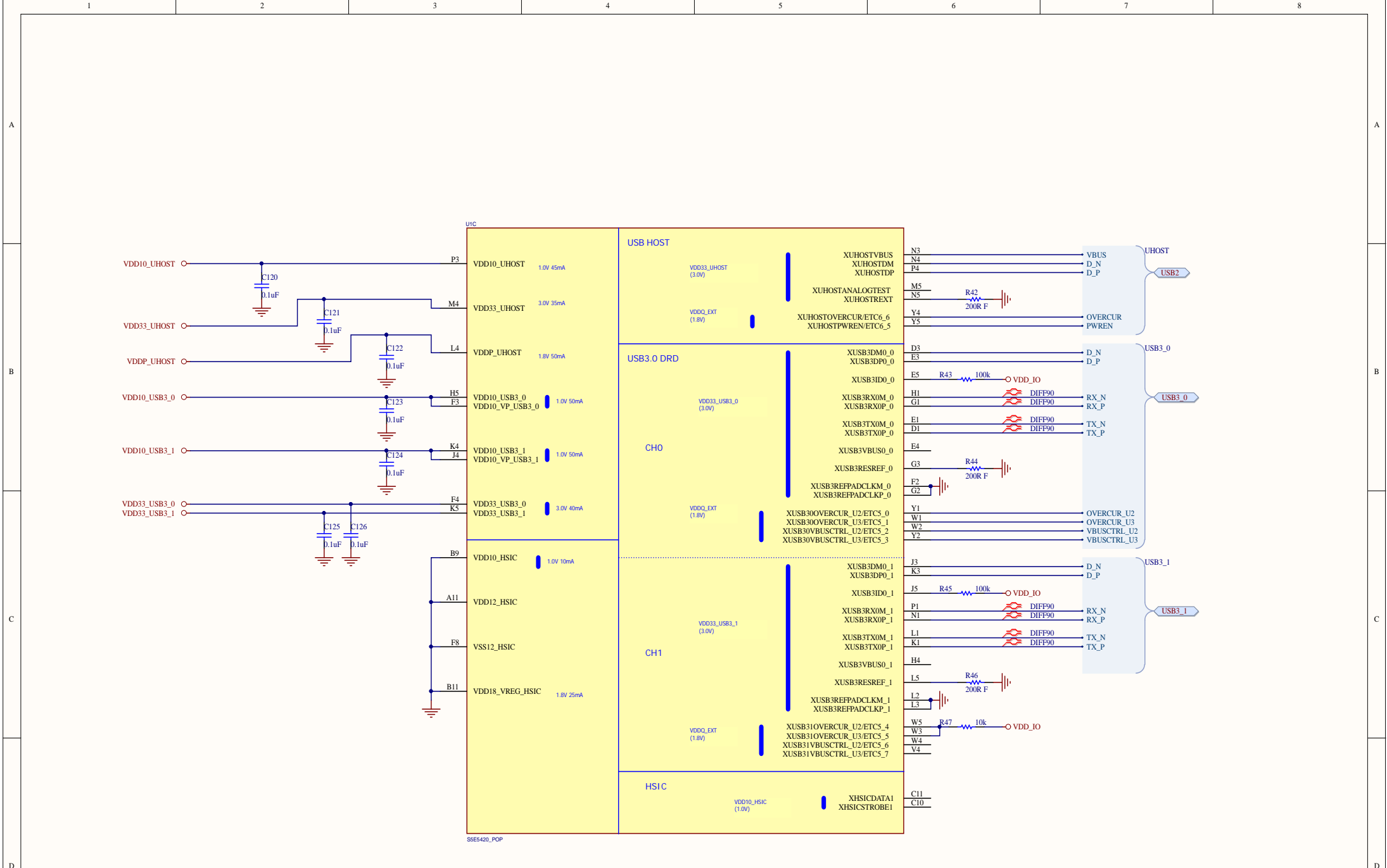


Title <b>MCU EXYNOS5422</b>			Hardkernel Co.,LTD. 475-1 Mananro Manangu, Anyang City Gyeonggido South Korea Designed by: <a href="mailto:rupper.kim@hardkernel.com">rupper.kim@hardkernel.com</a>	
Size: A4	Number: 2.	Revision: 0.1		
Date: 2017-08-16	Time: 오전 10:03:38	Sheet 2 of 25		
File: MCU_EXYNOS5422.SchDoc				

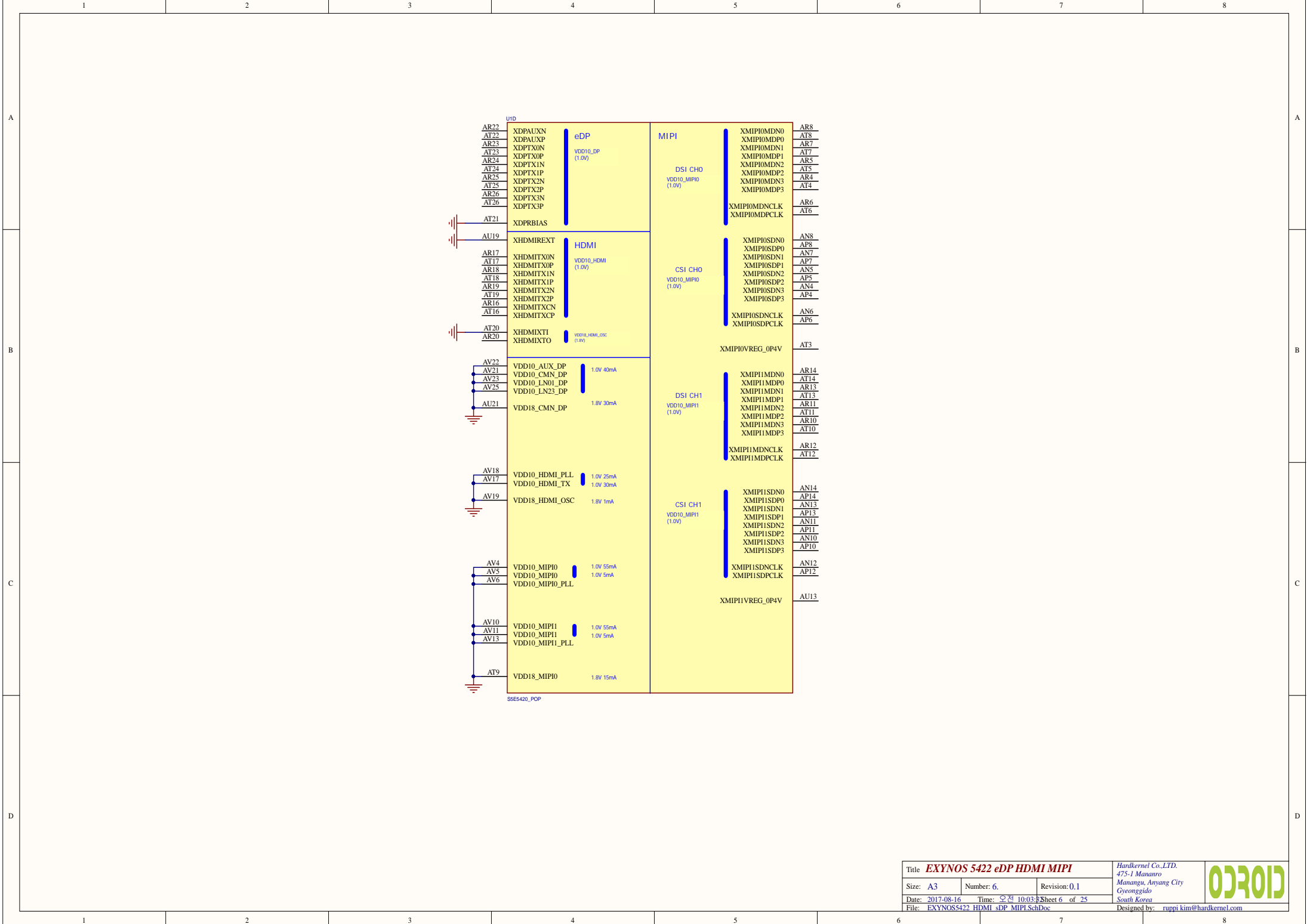


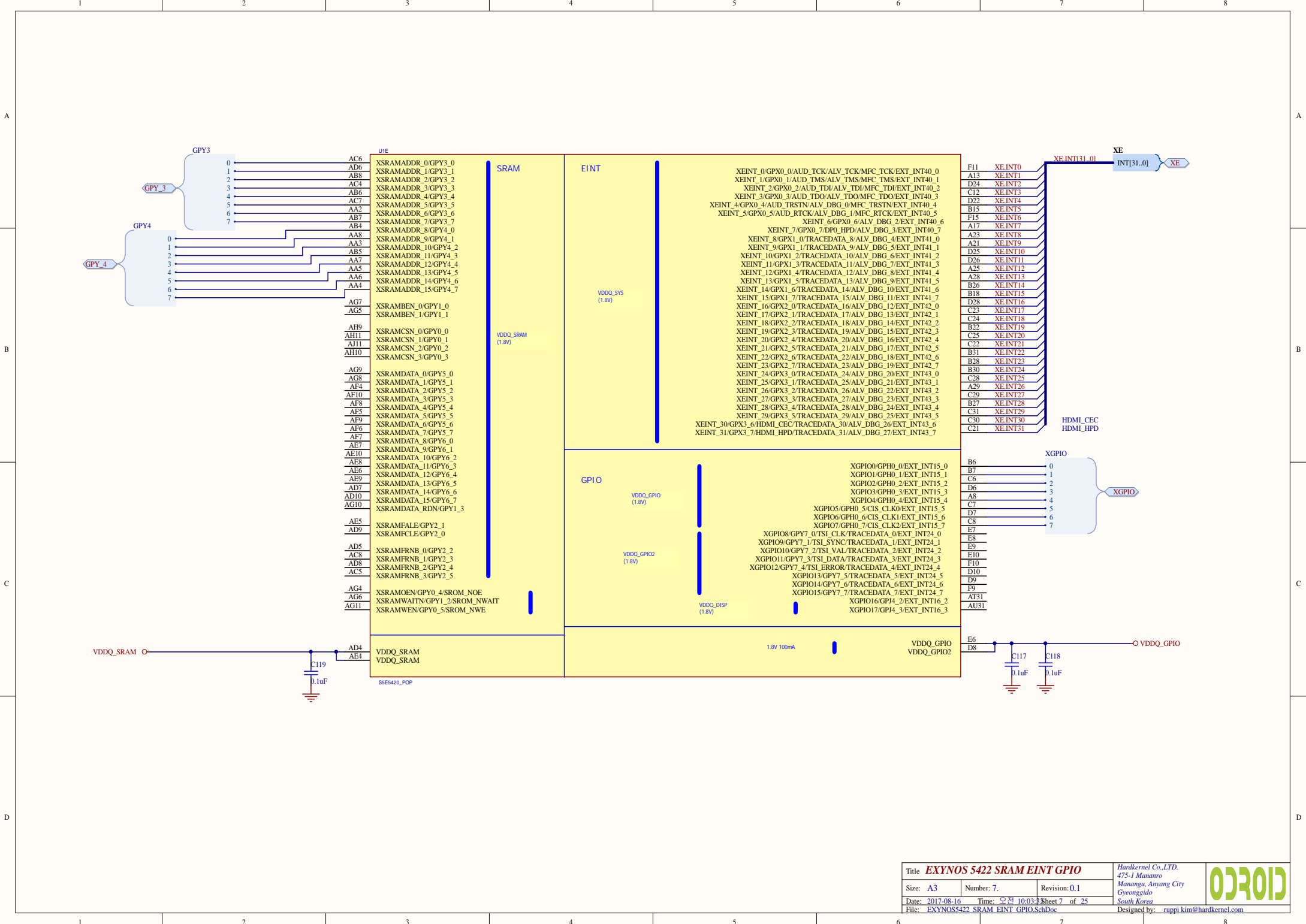
Revision	R64	R65	ADC value	DESC
0.1	NC	10K	0	XU3 0.1
0.2	100K	10K	372	XU3 0.2
0.3	22K	10K	1280	XU4 0.1
0.4	100K	22K	739	XU4 0.2
0.5	100K	33K	1016	XU4-Air 0.1
0.6	100K	47K	1309	XU4S 0.1
0.7	100K	56K	1470	
0.8	100K	68K	1657	

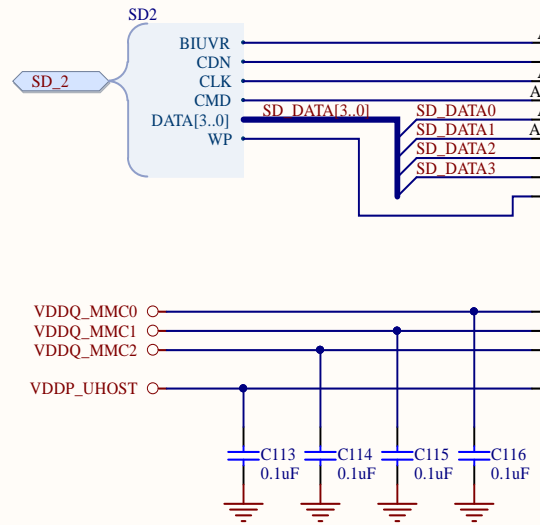
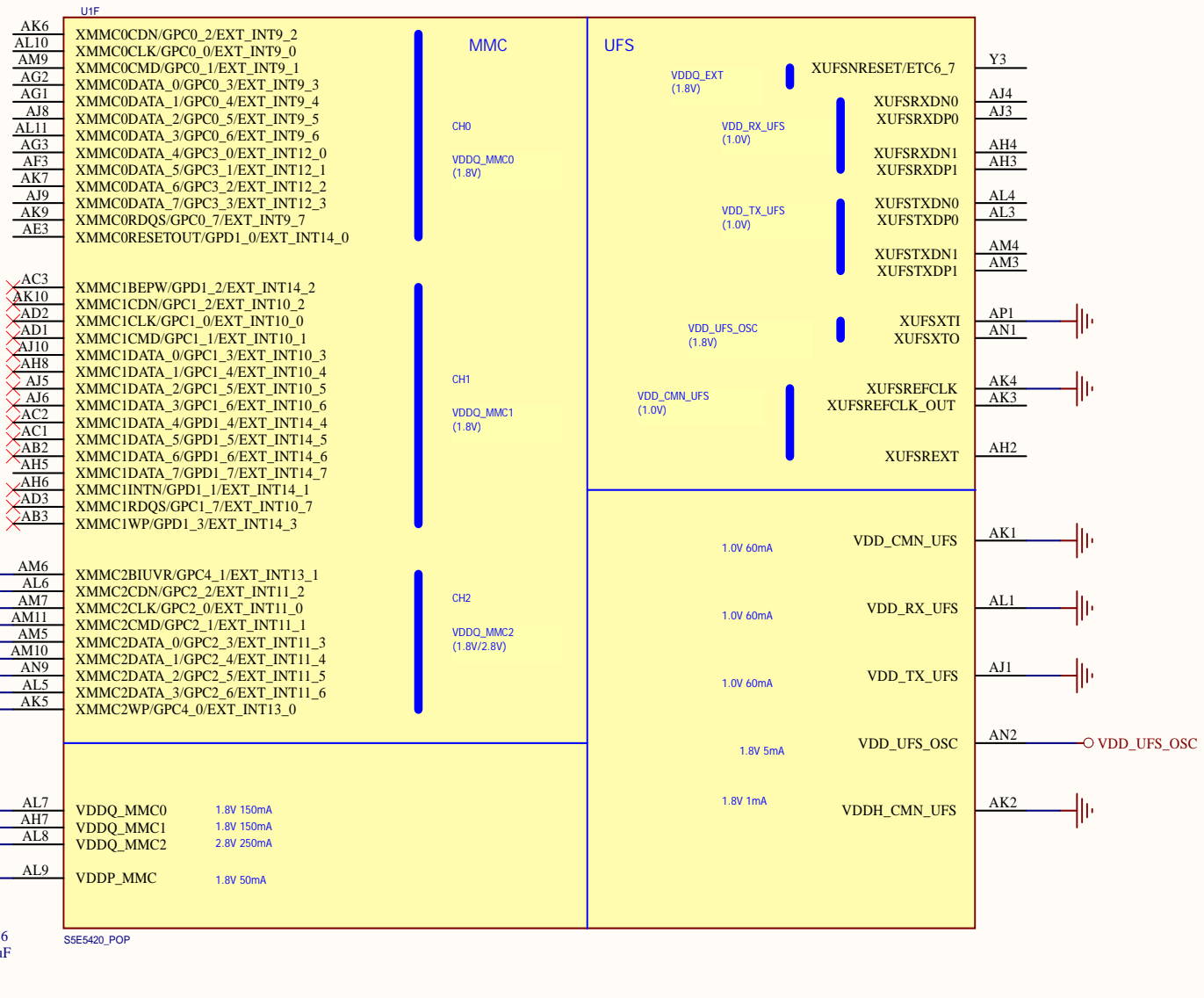




S5E5420\_POP



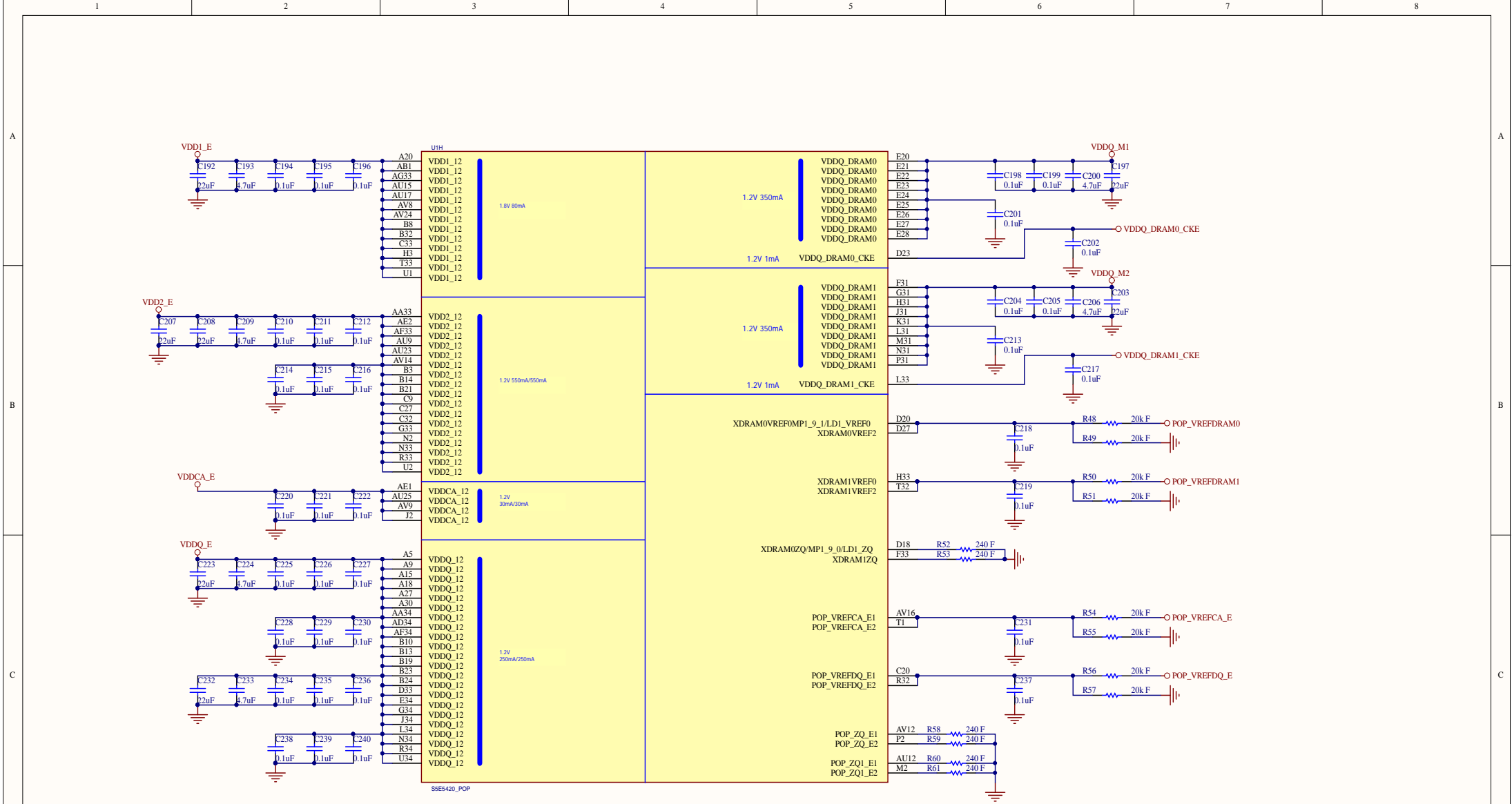


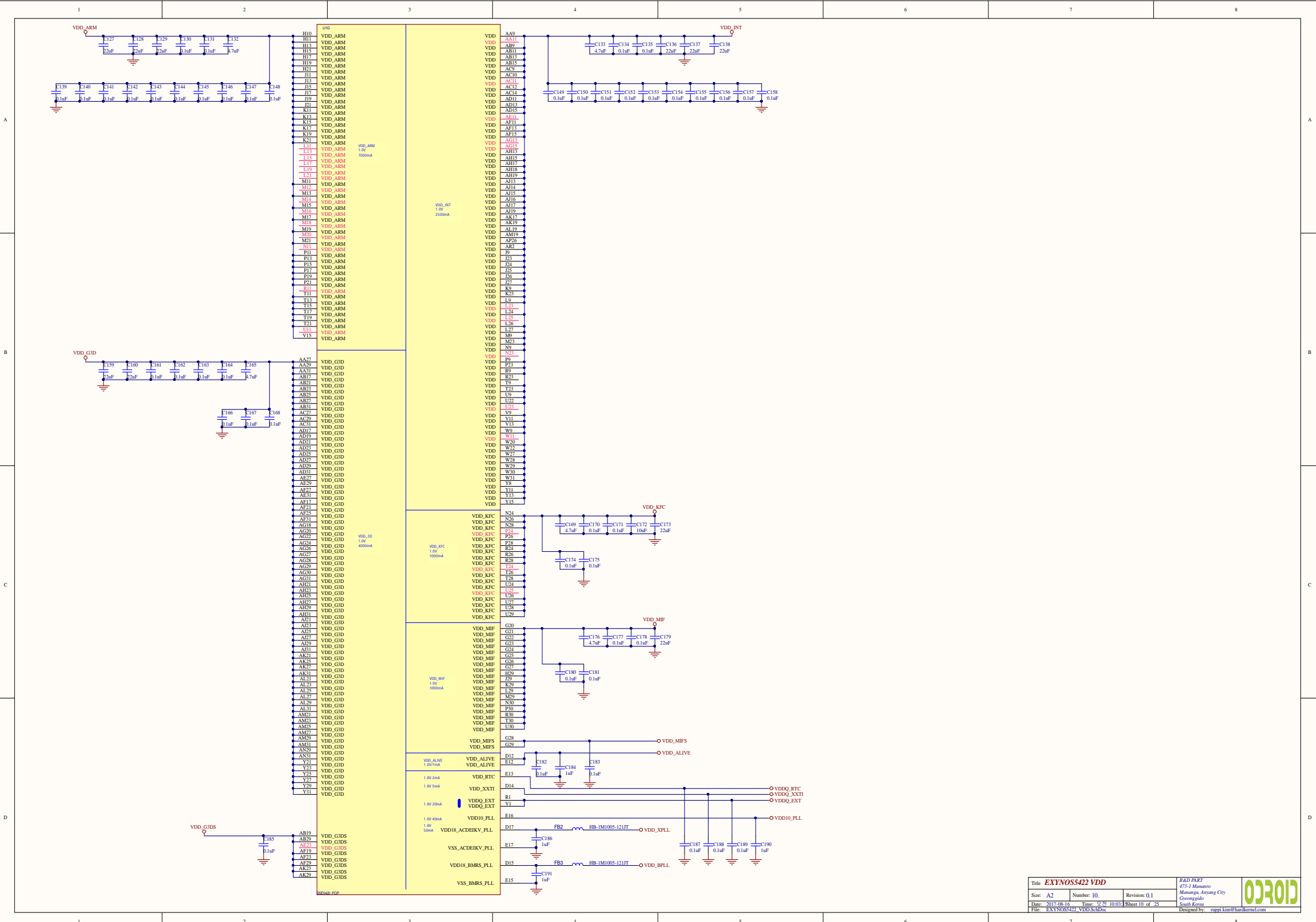


S5E5420\_POP

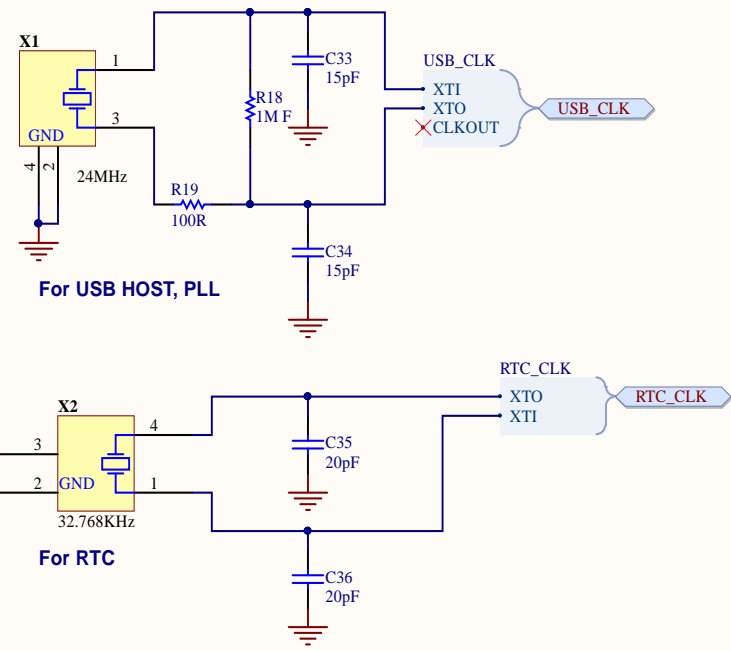
Title <b>EXYNOS 5422 MMC UFS</b>		Hardkernel Co.,LTD. 475-1 Mananro Manangu, Anyang City Gyeongido South Korea		
Size: A4	Number: 8.	Revision:0.1		
Date: 2017-08-16	Time: 오전 10:03:38	Sheet 8 of 25		
File: EXYNOS5422_MMC_UFS.SchDoc		Designed by: ruppi kim@hardkernel.com		




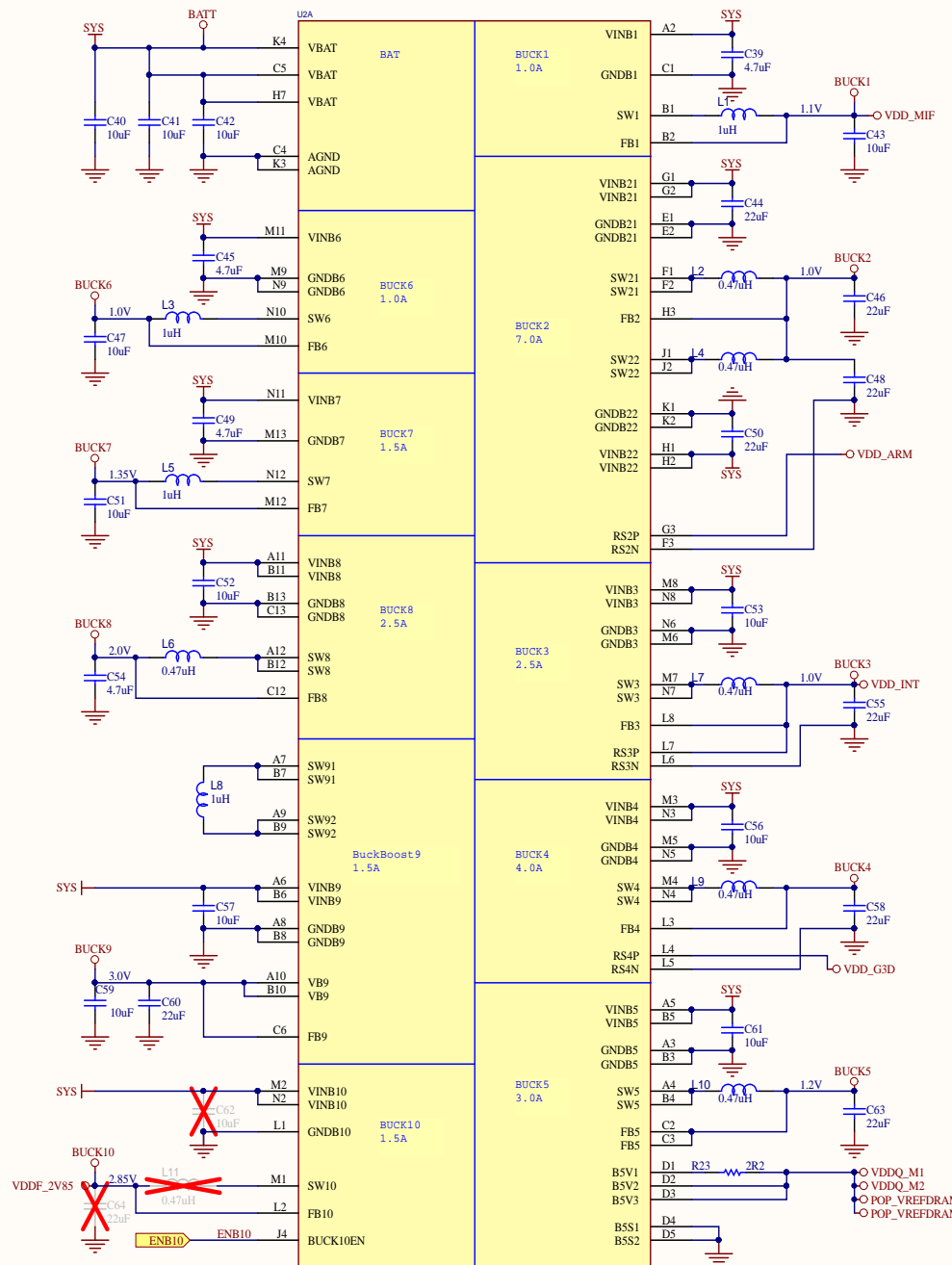








Title <b>CLK</b>			<i>Hardkernel Co.,LTD.</i> 475-1 Mananro Manangu, Anyang City Gyeongido South Korea Designed by: <a href="mailto:ruppi.kim@hardkernel.com">ruppi.kim@hardkernel.com</a>	
Size: A4	Number: 12.	Revision: 0.1		
Date: 2017-08-16	Time: 오전 10:03:38	Sheet 12 of 25		
File: CLK.SchDoc				

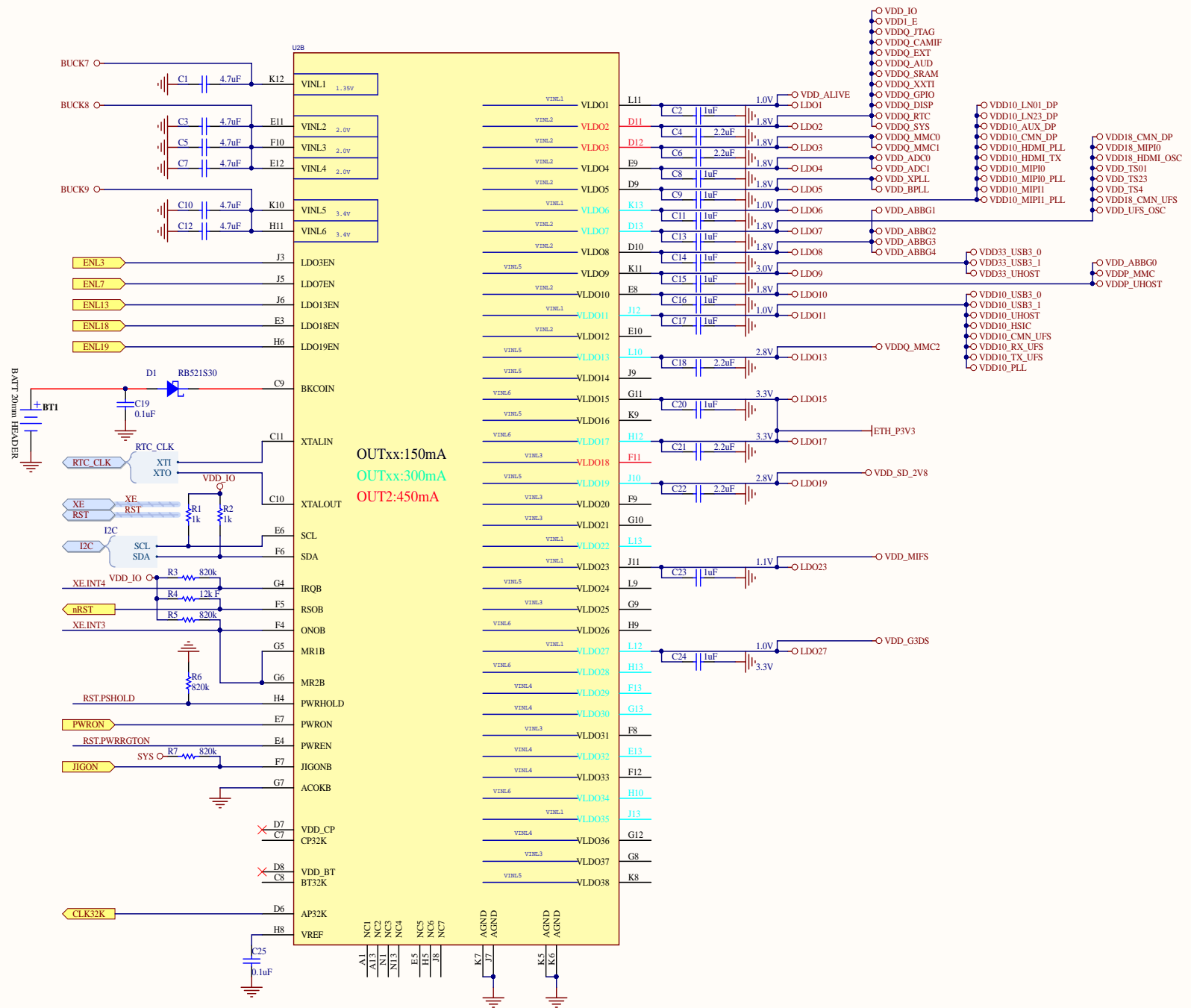


- VDD\_MEM
- VDDCA\_E
- VDD2\_E
- POP\_VREFCA\_E
- VDDQ\_DRAM0\_CKE
- VDDQ\_DRAM1\_CKE
- VDDQ\_E
- POP\_VREFDQ\_E

S2MPS11B 4TH  
U2C ADDR : 0xCCC(PM) 0x0C(RTC)

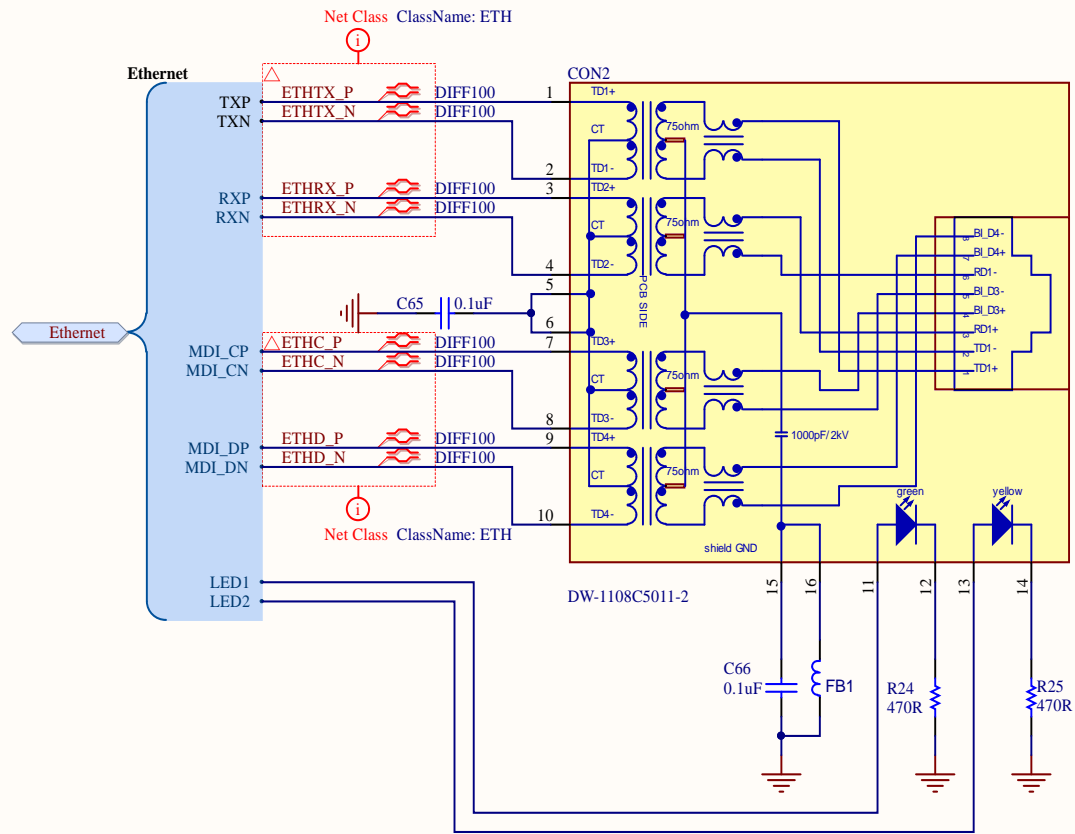
Title <b>S2MPS11X BUCK</b>			Hardkernel Co.,LTD. 475-1 Mananro Manangu, Anyang City Gyeonggido South Korea	
Size: A3	Number: 13	Revision: 0.1		
Date: 2017-08-16	Time: 2017.10.03	Sheet 13 of 25		
File: PWR PMIC S2MPS11 BUCK.SchDoc			Designed by: ruppi.kim@hardkernel.com	



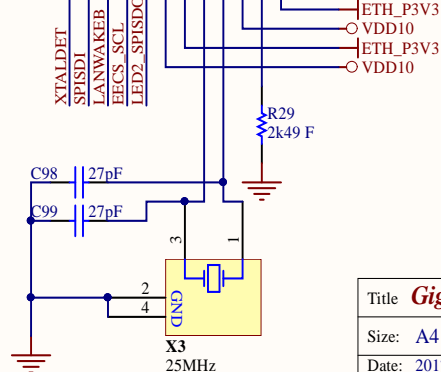
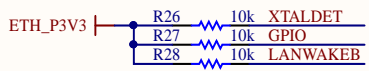
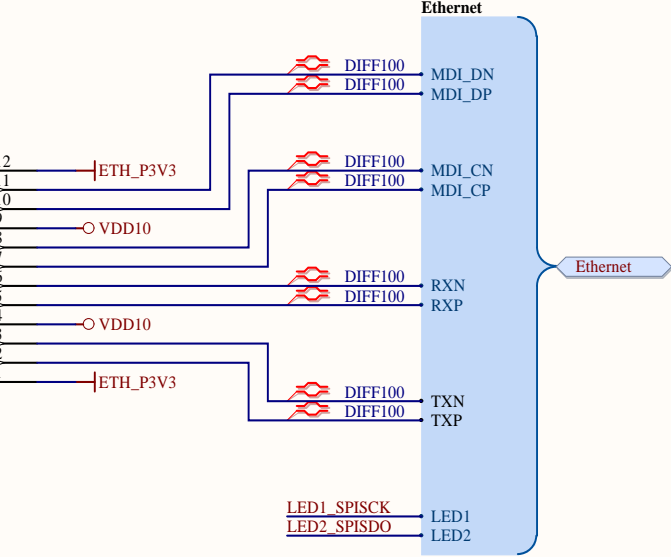
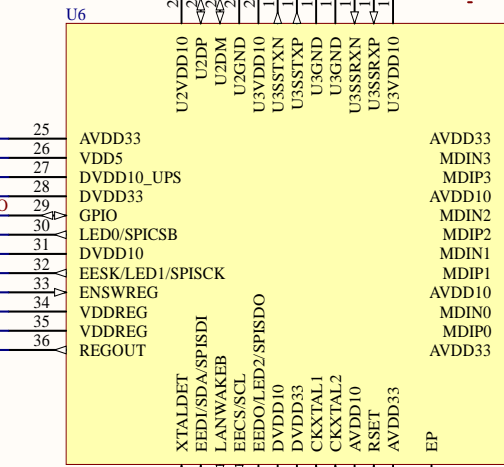
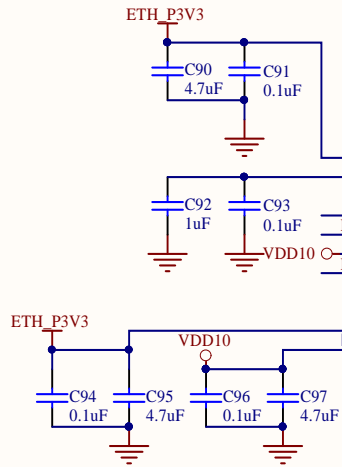
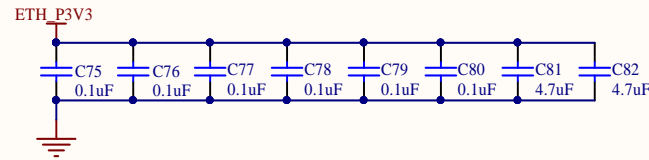
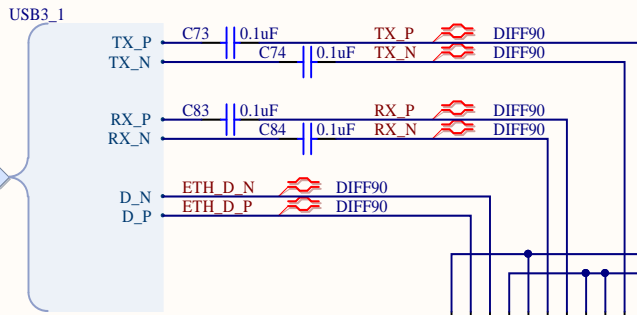
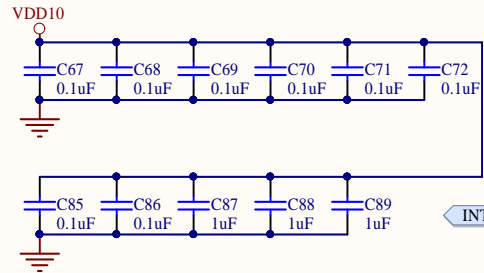


OUTxx:150mA  
 OUTxx:300mA  
 OUT2:450mA

S2MPS11X\_8  
 I2C ADDR: 0xCC(PM) 0x0C(RTC)

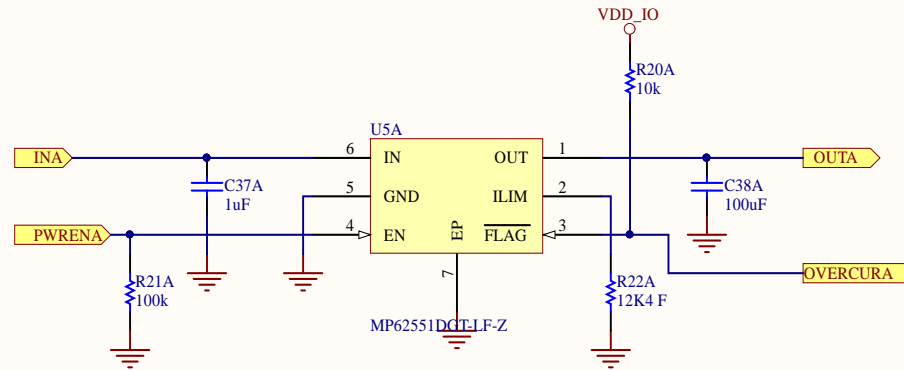



Title <b>Giga Ethernet Connector</b>			Hardkernel Co.,LTD. 475-1 Mananro Manangu, Anyang City Gyeonggido South Korea	
Size: A4	Number: 15.	Revision:0.1		
Date: 2017-08-16	Time: 오전 10:03:37	Sheet 15 of 25		
File: CON_GIGA_ETH.SchDoc			Designed by: ruppi kim@hardkernel.com	

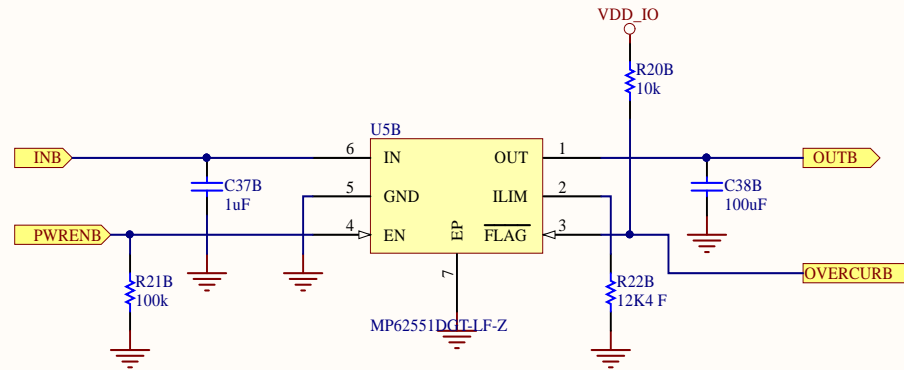



Title <b>Giga Ethernet USB3.0 RT8153-VB</b>			Hardkernel Co.,LTD. 475-1 Mananro Manangu, Anyang City Gyeonggido South Korea Designed by: ruppi.kim@hardkernel.com	
Size: A4	Number: 16.	Revision:0.1		
Date: 2017-08-16	Time: 오전 10:03:38 Sheet 16 of 25			
File: GIGA_ETHERNET_PHY_RT8153-VB-CG.SchDoc				

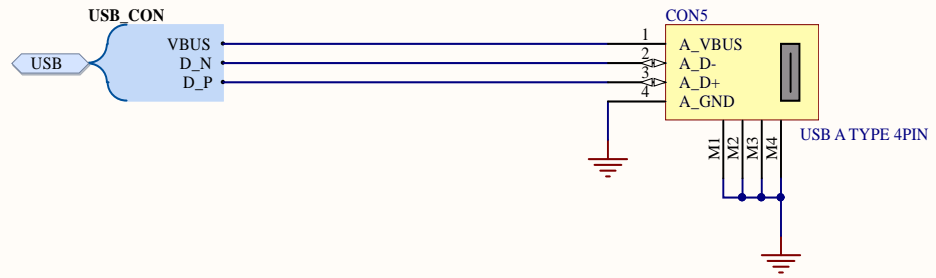





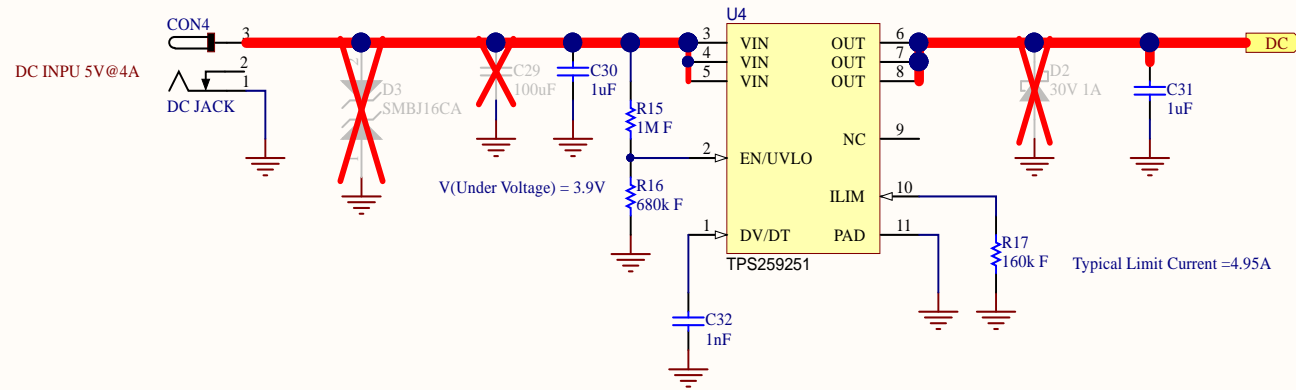
Title <b>USB HOST Power Switch</b>			Hardkernel Co.,LTD. 475-1 Mananro Manangu, Anyang City Gyeonggido South Korea Designed by: <a href="mailto:ruppi.kim@hardkernel.com">ruppi.kim@hardkernel.com</a>	
Size: A4	Number: 17.	Revision:0.1		
Date: 2017-08-16	Time: 오전 10:03	Sheet 17 of 25		
File: MP62551.SchDoc				



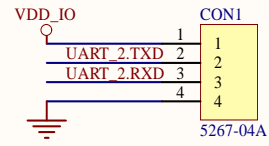
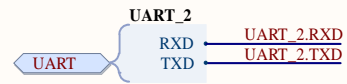
Title <b>USB HOST Power Switch</b>			<i>Hardkernel Co.,LTD.</i> 475-1 Mananro Manangu, Anyang City Gyeonggido South Korea Designed by: <a href="mailto:ruppi.kim@hardkernel.com">ruppi.kim@hardkernel.com</a>	
Size: A4	Number: 17.	Revision:0.1		
Date: 2017-08-16	Time: 오전 10:03:38	Sheet 17 of 25		
File: MP62551.SchDoc				




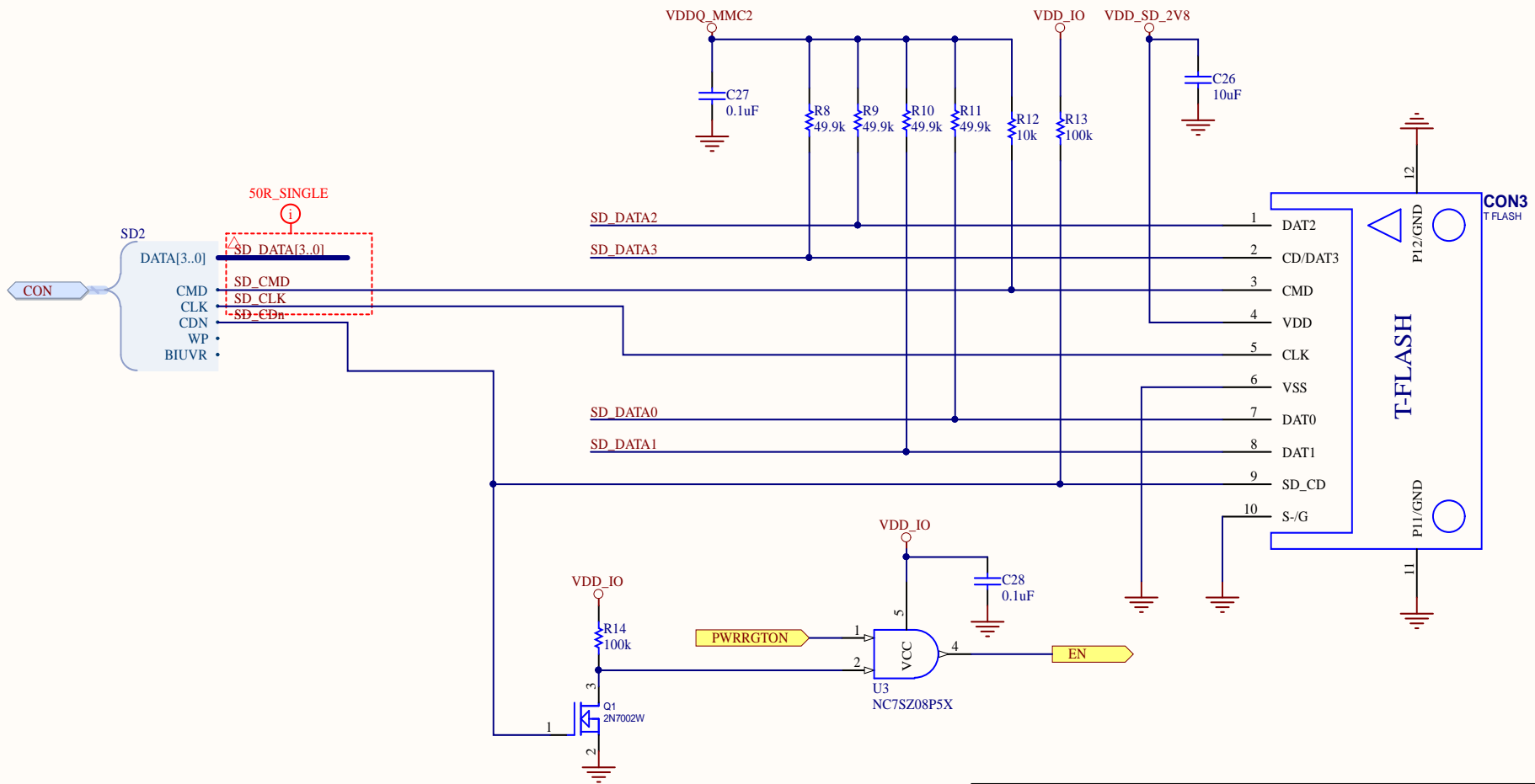
Title <b>USB 2.0 Type A Connector</b>			Hardkernel Co.,LTD. 475-1 Mananro Manangu, Anyang City Gyeonggido South Korea	
Size: A4	Number: 18.	Revision:0.1		
Date: 2017-08-16	Time: 오전 10:03:38	Sheet 18 of 25	Designed by: <a href="mailto:ruppi.kim@hardkernel.com">ruppi.kim@hardkernel.com</a>	
File: CON_USB_RA.SchDoc				



Title <b>DC Jack and Protection IC</b>			Hardkernel Co.,LTD. 475-1 Mananro Manangu, Anyang City Gyeongido South Korea	
Size: A4	Number: 19.	Revision: 0.1		
Date: 2017-08-16	Time: 오전 10:03	Sheet 19 of 25	Designed by: <a href="mailto:ruppi.kim@hardkernel.com">ruppi.kim@hardkernel.com</a>	
File: CON_DCJACK.SchDoc				

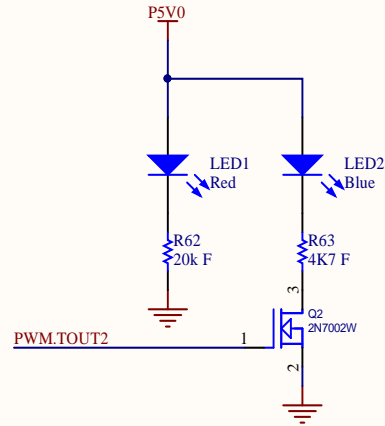



Title <b>UART Connector</b>			<i>Hardkernel Co.,LTD.</i> 475-1 Mananro Manangu, Anyang City Gyeonggido South Korea Designed by: <a href="mailto:ruppi.kim@hardkernel.com">ruppi.kim@hardkernel.com</a>	
Size: A4	Number: 20.	Revision: 0.1		
Date: 2017-08-16	Time: 오전 10:03:38	Sheet 20 of 25		
File: CON_UART.SchDoc				

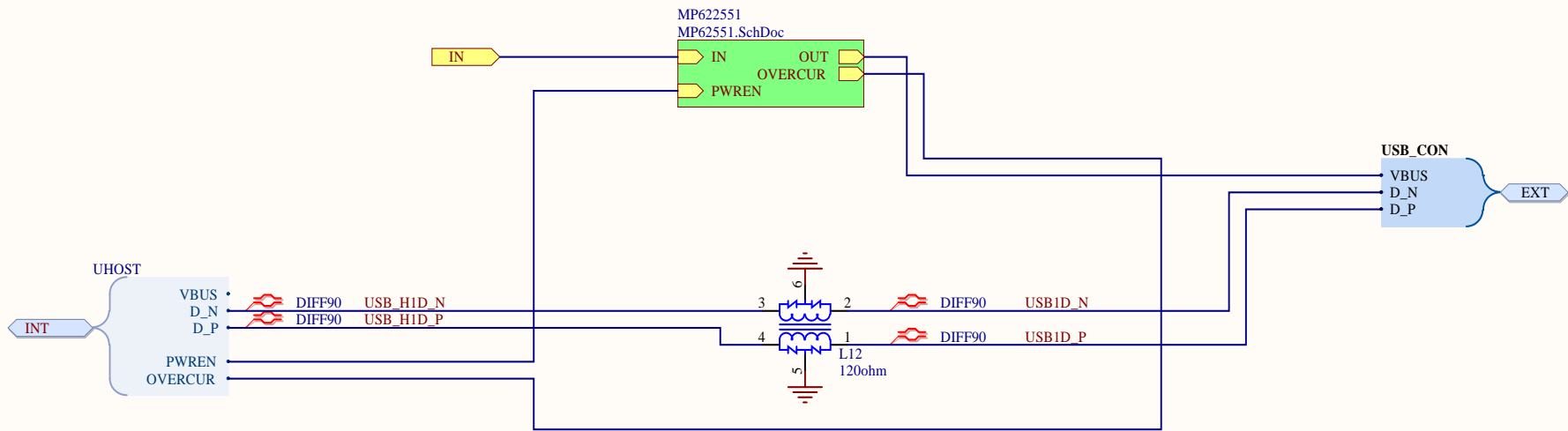



Title <b>Micro SD Socket</b>		Hardkernel Co.,LTD. 475-1 Mananro Manangu, Anyang City Gyeongido South Korea	
Size: A4	Number: 21.	Revision:0.1	
Date: 2017-08-16	Time: 오전 10:03:38	Sheet 21 of 25	
File: CON_MICROSD_HD08-AL00335.SchDoc		Designed by: ruppi kim@hardkernel.com	



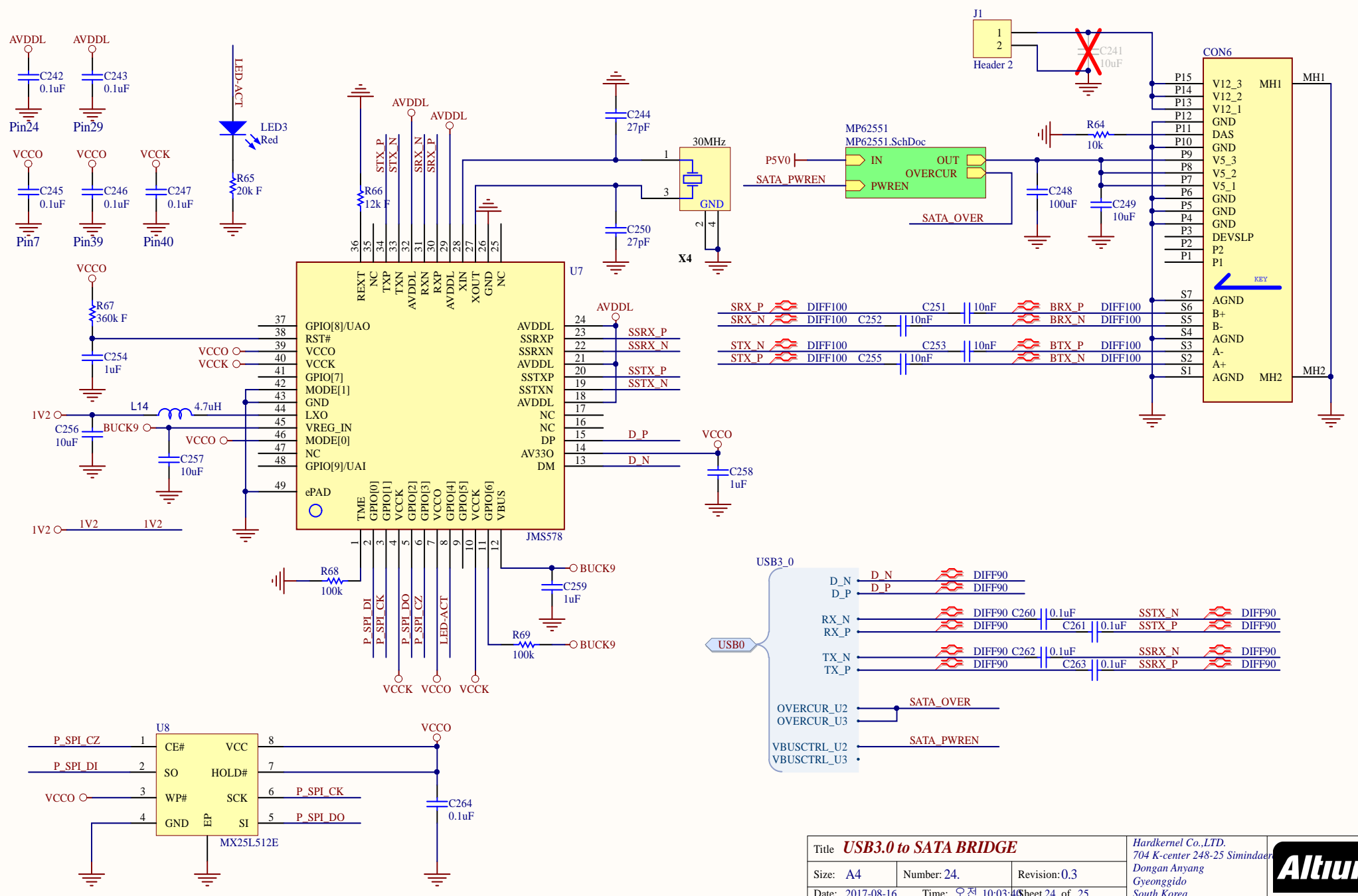


Title <b>Indicator LEDs</b>			<i>Hardkernel Co.,LTD.</i> 475-1 Mananro Manangu, Anyang City Gyeongido South Korea Designed by: <a href="mailto:ruppi.kim@hardkernel.com">ruppi.kim@hardkernel.com</a>	
Size: A4	Number: 22.	Revision: 0.1		
Date: 2017-08-16	Time: 오전 10:03:38	Sheet 22 of 25		
File: XU4_LEDS.SchDoc				



Title <b>USB HOST PWR SW</b>			Hardkernel Co.,LTD. 475-1 Mananro Manangu, Anyang City Gyeonggido South Korea Designed by: <a href="mailto:ruppi.kim@hardkernel.com">ruppi.kim@hardkernel.com</a>	
Size: A4	Number: 23.	Revision: 0.1		
Date: 2017-08-16	Time: 오전 10:03:40	Sheet 23 of 25		
File: USB2_HOST_PWR_SW.SchDoc				





Title <b>USB3.0 to SATA BRIDGE</b>			Hardkernel Co.,LTD. 704 K-center 248-25 Siminda-ro Dongan Anyang Gyeonggido South Korea	
Size: A4	Number: 24.	Revision:0.3		
Date: 2017-08-16	Time: 오전 10:03:40	Sheet 24 of 25		
File: D:\hw\hkl\xu4s\USB3.0 to SATA BRIDGE.SchDoc				