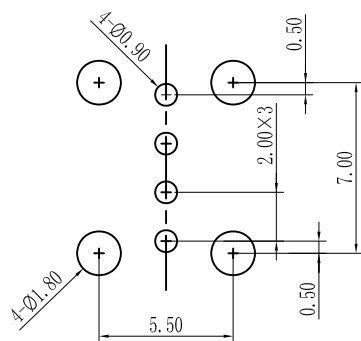
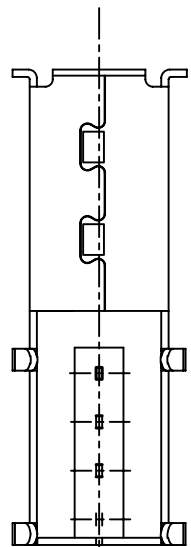
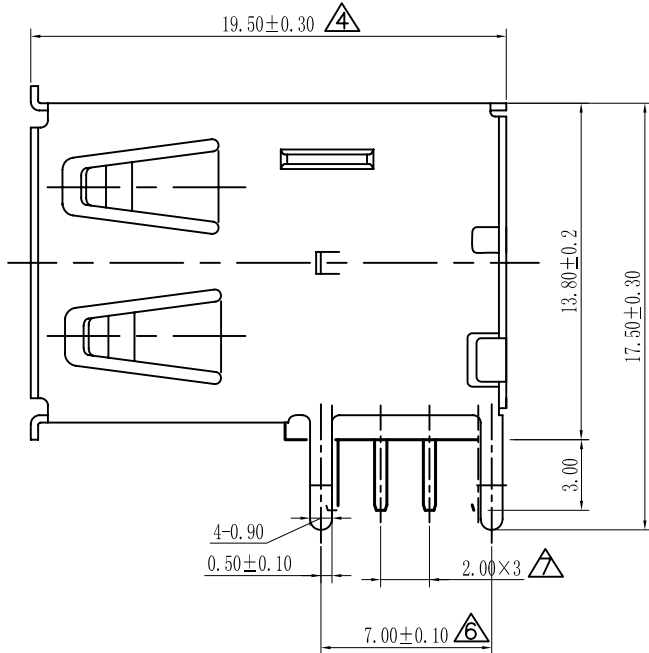
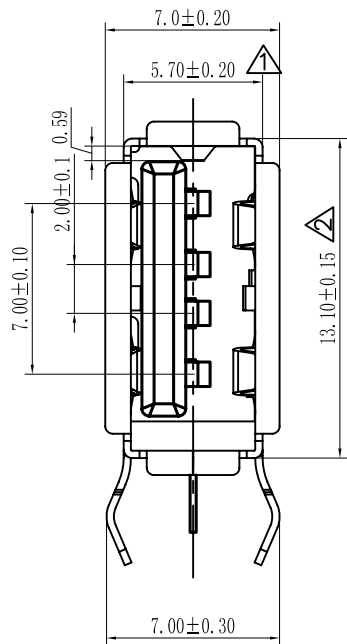


| 序号 ITEM | 品名 PART NAME | 材质 MATERIAL | 数量 NUM | 颜色 COLOR | 附加 FINISHING | 备注 REMARK |
|---------|--------------|-------------|--------|----------|--------------|-----------|
| 1       | 端子M1         | 黄铜          | 2      |          | 镀后镀金处理       |           |
| 2       | 端子M2         | 黄铜          | 2      |          | 镀后镀金处理       |           |
| 3       | 主体           | PBT         | 1      | 白色/黑色    |              |           |
| 4       | 外壳           | 黄铜+铁等       | 1      |          | 镀锌           |           |



SUGGESTED PCB LAYOUT  
GENERAL TOLERANCE: ±0.05

NOTE:

- RARING
- \*VOLTAGE RATING: 30V AC (Rms)
- \*CURRENT RATING: 1.5A MAX

ELECTRICAL CHARACTERISTICS

- \*CONTACT RESISTANCE: 30mΩ MAX
- \*INSULATION RESISTANCE: 1000MΩ MIN
- \*DIELECTRIC WITHSTANDING VOLTAGE: 500V AC AT 1minute

MATERIALS

- \*TERMINAL: Brass Plating Nickel before Plating Gold Tin.
- \*HOUSING: PBT.
- \*SHELL: Brass & SPCC Plating Nickel.

- \*TERMINALS: Gold Plating :G/F 3U" 5U"10"15U"30U"50U"
- \*DIMENSIONS MARKED "△" TO BE CHECKED BY QC & IPQC

|            |                   |             |       |          |  |
|------------|-------------------|-------------|-------|----------|--|
| 單位 UNIT    | MM                | 东莞市好典电子有限公司 |       |          |  |
| 比例 SCALE   | 1:1               | 圖號 Dwg NO.  |       |          |  |
| 張數 SHEET   | 1/1               | 名稱 TITLE    |       |          |  |
| 製圖 DRAWING |                   | .X±0.30     | X*±3* | 角法 PROJ. |  |
| 版本 REV.    | 設變內容 MODIFICATION | .XX±0.25    | X*±1* | 成品圖      |  |
| 日期 DATE    | 修改 DRAW           | .XXX±0.10   | XX*±  |          |  |
| 核准 APPROVE | 審核 CHECKED        |             |       |          |  |

|   |   |   |   |
|---|---|---|---|
| 甲 | 6 | 7 | 8 |
|---|---|---|---|

## Test Report

No. CANEC1625427005

Date: 29 Dec 2016

Page 1 of 4

DONG GUANG DEYAO METAL MATERIALS CO.,LTD

NO.6 CHUANG SHENG ROAD, THE SECOND INDUSTRIAL SHANGSHA CHANG`AN TOWN, DONGGUAN CITY CHINA

The following sample(s) was/were submitted and identified on behalf of the clients as : C2680

SGS Job No. : CP16-077286 - GZ

Date of Sample Received : 23 Dec 2016

Testing Period : 23 Dec 2016 - 29 Dec 2016

Test Requested : Selected test(s) as requested by client.

Test Method : Please refer to next page(s).

Test Results : Please refer to next page(s).

Conclusion : Based on the performed tests on submitted sample(s), the results of Lead, Mercury, Cadmium, Hexavalent chromium comply with the limits as set by RoHS Directive (EU) 2015/863 amending Annex II to Directive 2011/65/EU.

Signed for and on behalf of  
SGS-CSTC Standards Technical Services Co., Ltd. Guangzhou Branch



Merry Lv  
Approved Signatory



Test Results :

Test Part Description :

| Specimen No. | SGS Sample ID    | Description        |
|--------------|------------------|--------------------|
| SN1          | CAN16-254270.003 | Brassy metal sheet |

Remarks :

- (1) 1 mg/kg = 1 ppm = 0.0001%
- (2) MDL = Method Detection Limit
- (3) ND = Not Detected ( < MDL )
- (4) "-" = Not Regulated

**RoHS Directive (EU) 2015/863 amending Annex II to Directive 2011/65/EU**

Test Method : (1)With reference to IEC 62321-5:2013, determination of Cadmium by ICP-OES.  
 (2)With reference to IEC 62321-5:2013, determination of Lead by ICP-OES.  
 (3)With reference to IEC 62321-4:2013, determination of Mercury by ICP-OES.  
 (4)With reference to IEC 62321-7-1:2015 , determination of Hexavalent Chromium by Colorimetric Method using UV-Vis.

| Test Item(s)                  | Limit | Unit               | MDL  | 003 |
|-------------------------------|-------|--------------------|------|-----|
| Cadmium (Cd)                  | 100   | mg/kg              | 2    | ND  |
| Lead (Pb)                     | 1,000 | mg/kg              | 2    | 82  |
| Mercury (Hg)                  | 1,000 | mg/kg              | 2    | ND  |
| Hexavalent Chromium (Cr(VI))▼ | -     | µg/cm <sup>2</sup> | 0.10 | ND  |

Notes :

- (1) The maximum permissible limit is quoted from RoHS Directive (EU) 2015/863.
- (2) ▼= a. The sample is positive for CrVI if the CrVI concentration is greater than 0.13 µg/cm2. The sample coating is considered to contain CrVI
  - b. The sample is negative for CrVI if CrVI is ND (concentration less than 0.10 µg/cm2). The coating is considered a non-CrVI based coating
  - c. The result between 0.10 µg/cm2 and 0.13 µg/cm2 is considered to be inconclusive - unavoidable coating variations may influence the determination

Information on storage conditions and production date of the tested sample is unavailable and thus Cr(VI) results represent status of the sample at the time of testing.

IEC 62321 series is equivalent to EN 62321 series

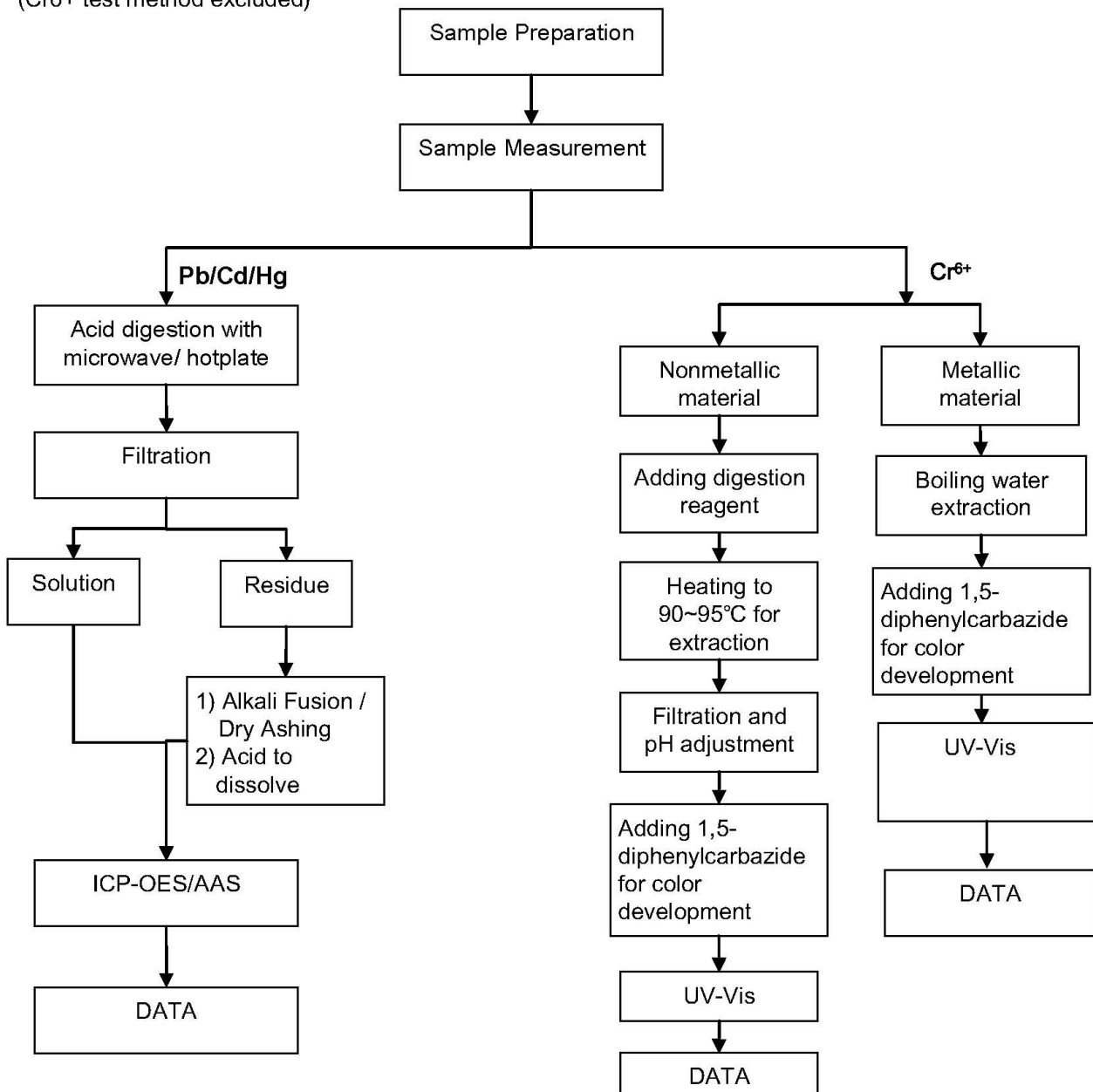
[http://www.cenelec.eu/dyn/www/f?p=104:30:1742232870351101:::FSP\\_ORG\\_ID,FSP\\_LANG\\_ID:1258637,25](http://www.cenelec.eu/dyn/www/f?p=104:30:1742232870351101:::FSP_ORG_ID,FSP_LANG_ID:1258637,25)



## ATTACHMENTS

### Pb/Cd/Hg/Cr<sup>6+</sup> Testing Flow Chart

- 1) Name of the person who made testing: Edith Zhang
- 2) Name of the person in charge of testing: Bella Wang
- 3) These samples were dissolved totally by pre-conditioning method according to below flow chart.  
(Cr<sup>6+</sup> test method excluded)



Sample photo:



SGS authenticate the photo on original report only

\*\*\* End of Report \*\*\*



## Test Report

No. CANEC1620144202 A01

Date: 21 Oct 2016

Page 1 of 6

DONGGUAN BUNCH PLASTICS TECHNOLOGY CO.,LTD..

THE INDUSTRIAL ROAD TWO, LANGZHOU DISTRICT, CHANGPING TOWN, DONGGUAN CITY  
CHINA

### This report is to supersede test report CANEC1620144201

The following sample(s) was/were submitted and identified on behalf of the clients as : PBTHB+GFNC

SGS Job No. : CP16-063794 - GZ

Date of Sample Received : 17 Oct 2016

Testing Period : 17 Oct 2016 - 20 Oct 2016

Test Requested : Selected test(s) as requested by client.

Test Method : Please refer to next page(s).

Test Results : Please refer to next page(s).

Conclusion : Based on the performed tests on submitted sample(s), the results of Lead, Mercury, Cadmium, Hexavalent chromium, Polybrominated biphenyls (PBBs), Polybrominated diphenyl ethers (PBDEs) and Phthalates such as Bis(2-ethylhexyl) phthalate (DEHP) , Butyl benzyl phthalate (BBP), Dibutyl phthalate (DBP) , and Diisobutyl phthalate (DIBP) comply with the limits as set by RoHS Directive (EU) 2015/863 amending Annex II to Directive 2011/65/EU.

Signed for and on behalf of  
SGS-CSTC Standards Technical Services Co., Ltd. Guangzhou Branch



Almay Gao  
Approved Signatory



# Test Report

No. CANEC1620144202 A01

Date: 21 Oct 2016

Page 2 of 6

Test Results :

Test Part Description :

| Specimen No. | SGS Sample ID    | Description          |
|--------------|------------------|----------------------|
| SN1          | CAN16-201442.001 | White plastic grains |

Remarks :

- (1) 1 mg/kg = 0.0001%
- (2) MDL = Method Detection Limit
- (3) ND = Not Detected ( < MDL )
- (4) "-" = Not Regulated

**RoHS Directive (EU) 2015/863 amending Annex II to Directive 2011/65/EU**

- Test Method :
- (1)With reference to IEC 62321-5:2013, determination of Cadmium by ICP-OES.
  - (2)With reference to IEC 62321-5:2013, determination of Lead by ICP-OES.
  - (3)With reference to IEC 62321-4:2013, determination of Mercury by ICP-OES.
  - (4)With reference to IEC 62321:2008, determination of Hexavalent Chromium by Colorimetric Method using UV-Vis.
  - (5)With reference to IEC 62321-6:2015, determination of PBBs and PBDEs by GC-MS.
  - (6)With reference to IEC 62321-8:2013 (111/321/CD) , determination of phthalates by GC-MS.

| Test Item(s)               | Limit | Unit  | MDL | 001 |
|----------------------------|-------|-------|-----|-----|
| Cadmium (Cd)               | 100   | mg/kg | 2   | ND  |
| Lead (Pb)                  | 1,000 | mg/kg | 2   | ND  |
| Mercury (Hg)               | 1,000 | mg/kg | 2   | ND  |
| Hexavalent Chromium (CrVI) | 1,000 | mg/kg | 2   | ND  |
| Sum of PBBs                | 1,000 | mg/kg | -   | ND  |
| Monobromobiphenyl          | -     | mg/kg | 5   | ND  |
| Dibromobiphenyl            | -     | mg/kg | 5   | ND  |
| Tribromobiphenyl           | -     | mg/kg | 5   | ND  |
| Tetrabromobiphenyl         | -     | mg/kg | 5   | ND  |
| Pentabromobiphenyl         | -     | mg/kg | 5   | ND  |
| Hexabromobiphenyl          | -     | mg/kg | 5   | ND  |
| Heptabromobiphenyl         | -     | mg/kg | 5   | ND  |
| Octabromobiphenyl          | -     | mg/kg | 5   | ND  |
| Nonabromobiphenyl          | -     | mg/kg | 5   | ND  |
| Decabromobiphenyl          | -     | mg/kg | 5   | ND  |
| Sum of PBDEs               | 1,000 | mg/kg | -   | ND  |



Unless otherwise agreed in writing, this document is issued by the Company subject to its General Conditions of Service printed overleaf, available on request or accessible at <http://www.sgs.com/en/Terms-and-Conditions.aspx> and, for electronic format documents, subject to Terms and Conditions for Electronic Documents at <http://www.sgs.com/en/Terms-and-Conditions/Terms-e-Documents.aspx>. Attention is drawn to the limitation of liability, indemnification and jurisdiction issues defined therein. Any holder of this document is advised that information contained hereon reflects the Company's findings at the time of its intervention only and within the limits of Client's instructions, if any. The Company's sole responsibility is to its Client and this document does not exonerate parties to a transaction from exercising all their rights and obligations under the transaction documents. This document cannot be reproduced except in full, without prior written approval of the Company. Any unauthorized alteration, forgery or falsification of the content or appearance of this document is unlawful and offenders may be prosecuted to the fullest extent of the law. Unless otherwise stated the results shown in this test report refer only to the sample(s) tested.

Attention: To check the authenticity of testing /inspection report & certificate, please contact us at telephone: (86-755) 8307 1443, or email: CN\_Doccheck@sgs.com

# Test Report

No. CANEC1620144202 A01

Date: 21 Oct 2016

Page 3 of 6

| <u>Test Item(s)</u>                 | <u>Limit</u> | <u>Unit</u> | <u>MDL</u> | <u>001</u> |
|-------------------------------------|--------------|-------------|------------|------------|
| Monobromodiphenyl ether             | -            | mg/kg       | 5          | ND         |
| Dibromodiphenyl ether               | -            | mg/kg       | 5          | ND         |
| Tribromodiphenyl ether              | -            | mg/kg       | 5          | ND         |
| Tetrabromodiphenyl ether            | -            | mg/kg       | 5          | ND         |
| Pentabromodiphenyl ether            | -            | mg/kg       | 5          | ND         |
| Hexabromodiphenyl ether             | -            | mg/kg       | 5          | ND         |
| Heptabromodiphenyl ether            | -            | mg/kg       | 5          | ND         |
| Octabromodiphenyl ether             | -            | mg/kg       | 5          | ND         |
| Nonabromodiphenyl ether             | -            | mg/kg       | 5          | ND         |
| Decabromodiphenyl ether             | -            | mg/kg       | 5          | ND         |
| Dibutyl phthalate (DBP)             | 1000         | mg/kg       | 50         | ND         |
| Butyl benzyl phthalate (BBP)        | 1000         | mg/kg       | 50         | ND         |
| Bis (2-ethylhexyl) phthalate (DEHP) | 1000         | mg/kg       | 50         | ND         |
| Diisobutyl Phthalates (DIBP)        | 1000         | mg/kg       | 50         | ND         |

Notes :

- (1) The maximum permissible limit is quoted from RoHS Directive (EU) 2015/863.

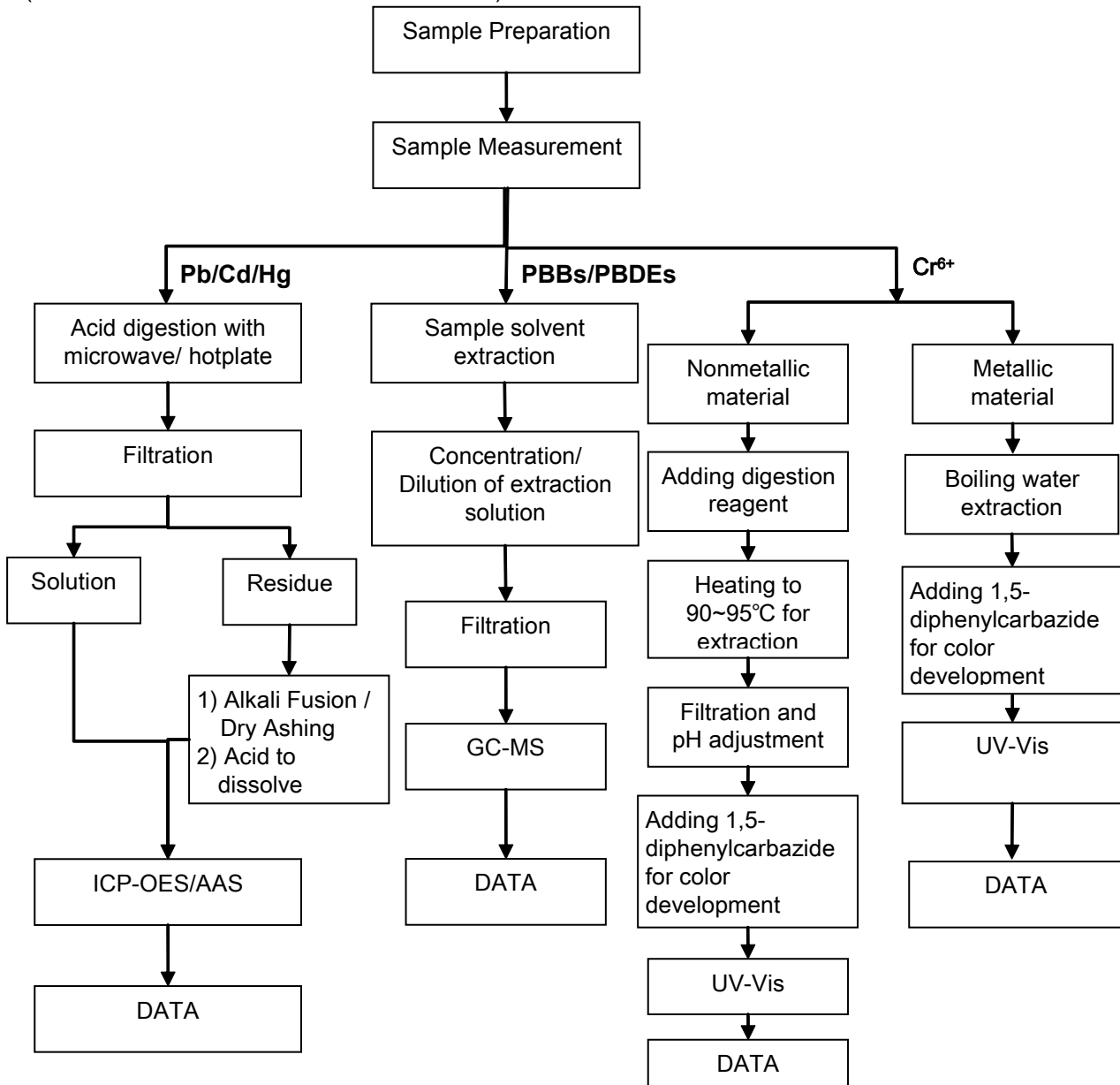




ATTACHMENTS

**Pb/Cd/Hg/Cr<sup>6+</sup>/PBBs/PBDEs Testing Flow Chart**

- 1) Name of the person who made testing: Edith Zhang / Sunny Hu
- 2) Name of the person in charge of testing: Bella Wang / Qiong Liu
- 3) These samples were dissolved totally by pre-conditioning method according to below flow chart (Cr<sup>6+</sup> and PBBs/PBDEs test method excluded).



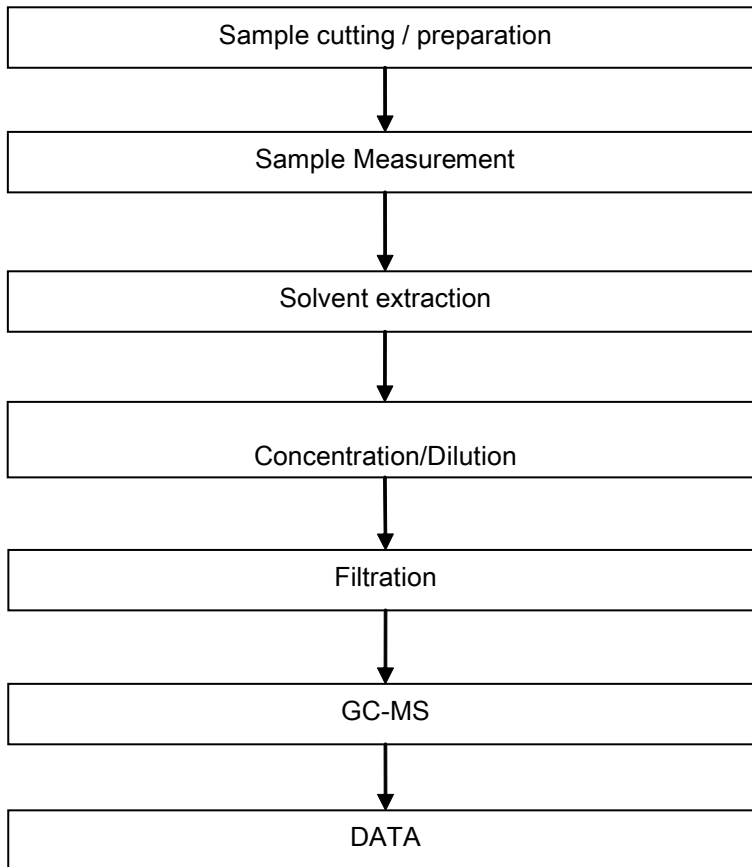
Unless otherwise agreed in writing, this document is issued by the Company subject to its General Conditions of Service printed overleaf, available on request or accessible at <http://www.sgs.com/en/Terms-and-Conditions.aspx> and, for electronic format documents, subject to Terms and Conditions for Electronic Documents at <http://www.sgs.com/en/Terms-and-Conditions/Terms-e-Documents.aspx>. Attention is drawn to the limitation of liability, indemnification and jurisdiction issues defined therein. Any holder of this document is advised that information contained hereon reflects the Company's findings at the time of its intervention only and within the limits of Client's instructions, if any. The Company's sole responsibility is to its Client and this document does not exonerate parties to a transaction from exercising all their rights and obligations under the transaction documents. This document cannot be reproduced except in full, without prior written approval of the Company. Any unauthorized alteration, forgery or falsification of the content or appearance of this document is unlawful and offenders may be prosecuted to the fullest extent of the law. Unless otherwise stated the results shown in this test report refer only to the sample(s) tested.

Attention: To check the authenticity of testing /inspection report & certificate, please contact us at telephone: (86-755) 8307 1443, or email: CN\_Doccheck@sgs.com

ATTACHMENTS

Phthalates Testing Flow Chart

- 1) Name of the person who made testing: Sunny Hu
- 2) Name of the person in charge of testing: Qiong Liu



Unless otherwise agreed in writing, this document is issued by the Company subject to its General Conditions of Service printed overleaf, available on request or accessible at <http://www.sgs.com/en/Terms-and-Conditions.aspx> and, for electronic format documents, subject to Terms and Conditions for Electronic Documents at <http://www.sgs.com/en/Terms-and-Conditions/Terms-e-Documents.aspx>. Attention is drawn to the limitation of liability, indemnification and jurisdiction issues defined therein. Any holder of this document is advised that information contained hereon reflects the Company's findings at the time of its intervention only and within the limits of Client's instructions, if any. The Company's sole responsibility is to its Client and this document does not exonerate parties to a transaction from exercising all their rights and obligations under the transaction documents. This document cannot be reproduced except in full, without prior written approval of the Company. Any unauthorized alteration, forgery or falsification of the content or appearance of this document is unlawful and offenders may be prosecuted to the fullest extent of the law. Unless otherwise stated the results shown in this test report refer only to the sample(s) tested.

Attention: To check the authenticity of testing /inspection report & certificate, please contact us at telephone: (86-755) 8307 1443, or email: CN\_Doccheck@sgs.com

Sample photo:



SGS authenticate the photo on original report only

\*\*\* End of Report \*\*\*