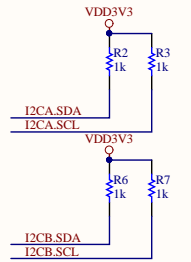
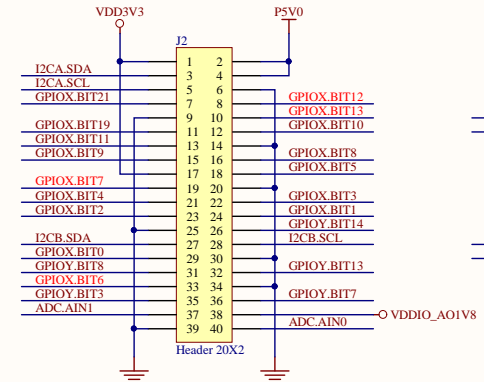
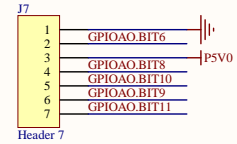
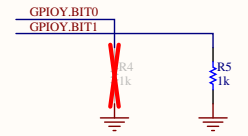
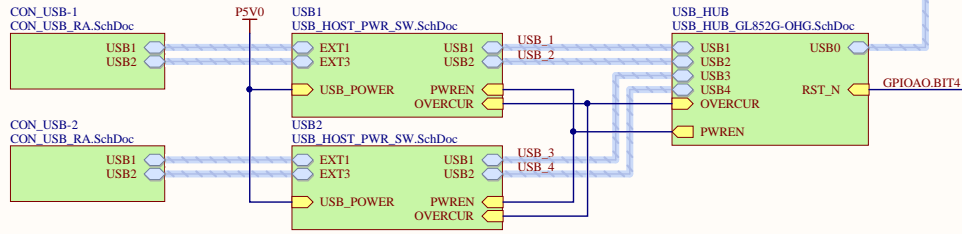
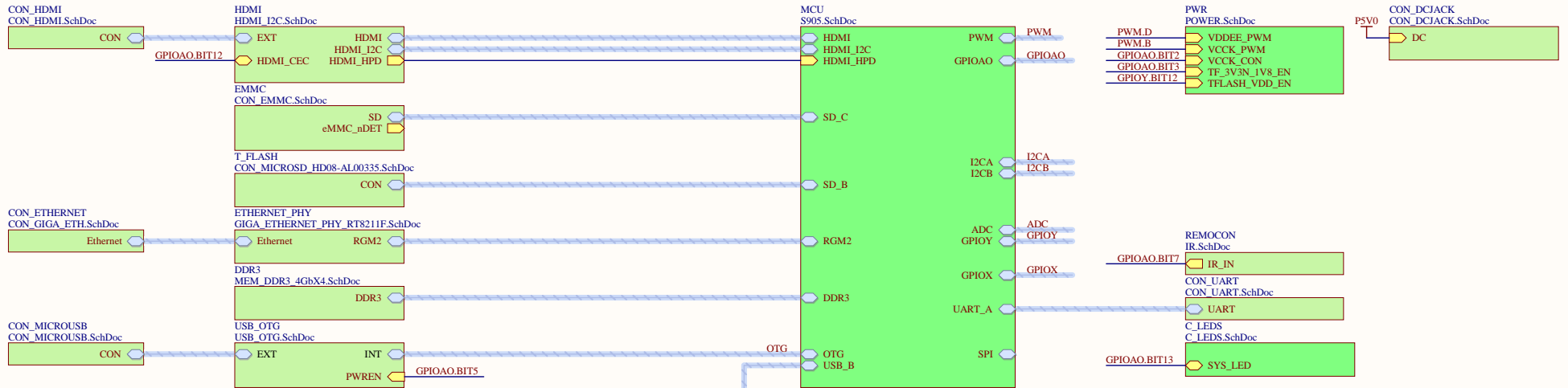


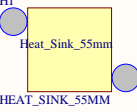
Title S905			Hardkernel Co.,LTD. 475-1 Mananro Manangu, Anyang City Gyeonggido South Korea	
Size: A4	Number:2	Revision:0.1		
Date: 2016-02-22	Time: 오후 5:12:43		Sheet 2 of 26	
File: S905.SchDoc			Designed by: ruppi.kim@hardkernel.com	



Mounting Holes

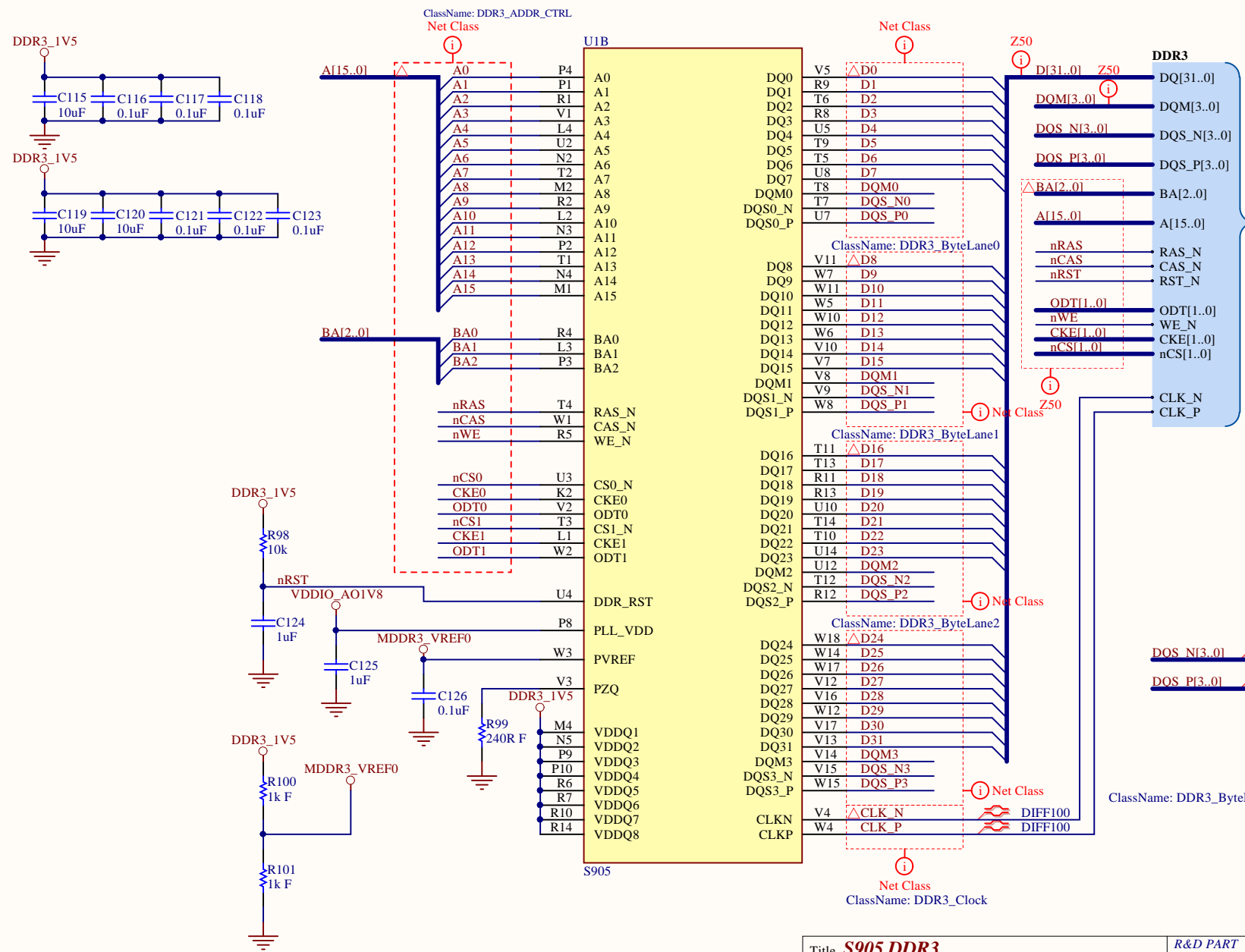
- MH1 MOUNTING HOLE 3MM
- MH2 MOUNTING HOLE 3MM
- MH3 MOUNTING HOLE 3MM
- MH4 MOUNTING HOLE 3MM

Heat Sink



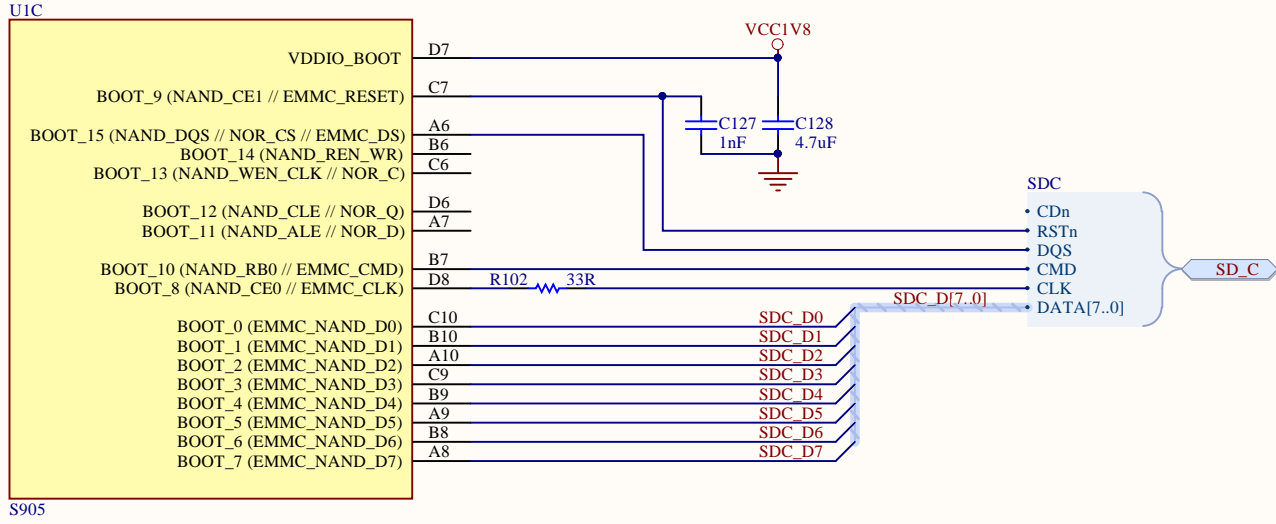
GPIOY.BIT1	GPIOY.BIT0	Revision
0	0	0.1
0	1	0.2
1	0	0.3
1	1	0.4





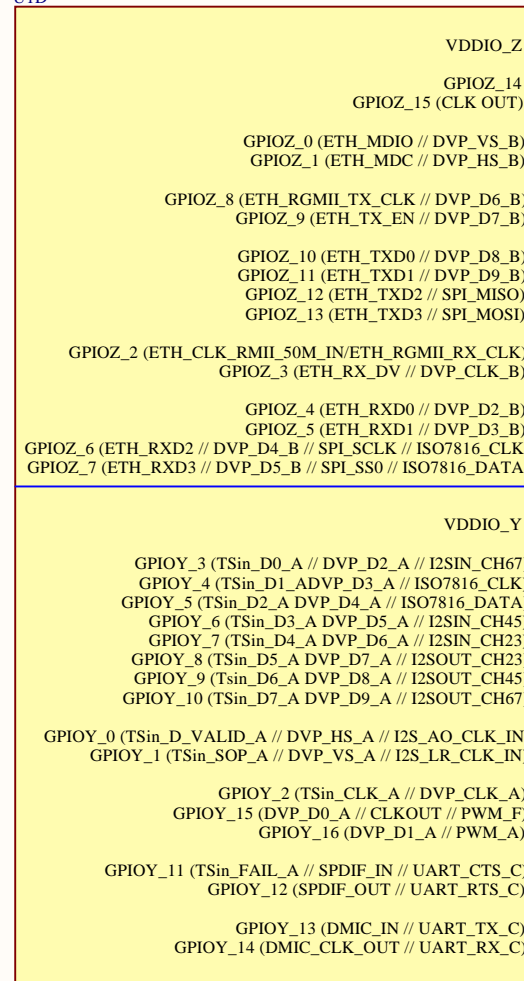
Title S905 DDR3			R&D PART 704 Anyang K-center 1591-9
Size: A4	Number:5	Revision:0.3	Burim Dongan Gu
Date: 2016-02-22	Time: 오후 5:12:43	Sheet5 of 26	Gyeonggido
File: S905_DDR3.SchDoc			South Korea
			Designed by: ruppi.kim@hardkernel.com



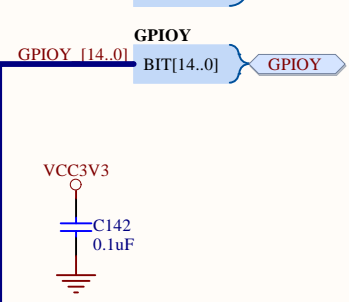
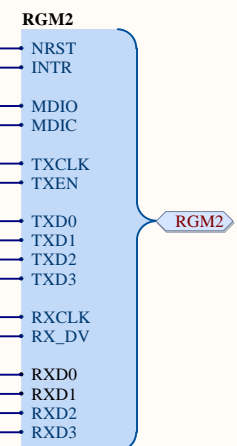
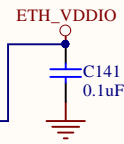


Title S805 FLASH			R&D PART	
Size: A4	Number:6	Revision:0.3	704 Anyang K-center 1591-9	
Date: 2016-02-22	Time: 오후 5:12:44 Sheet 6 of 26		Burim Dongan Gu	
File: S905_FLASH.SchDoc			Gyeonggido	
			South Korea	
			Designed by: ruppi.kim@hardkernel.com	

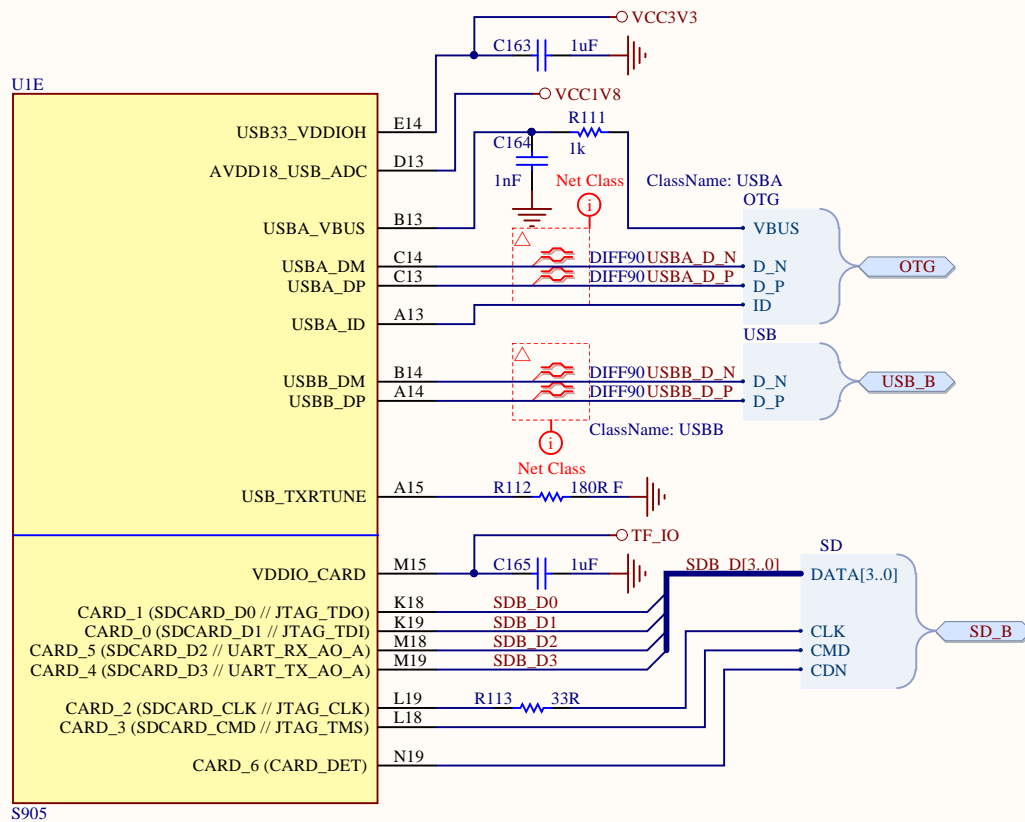
UID



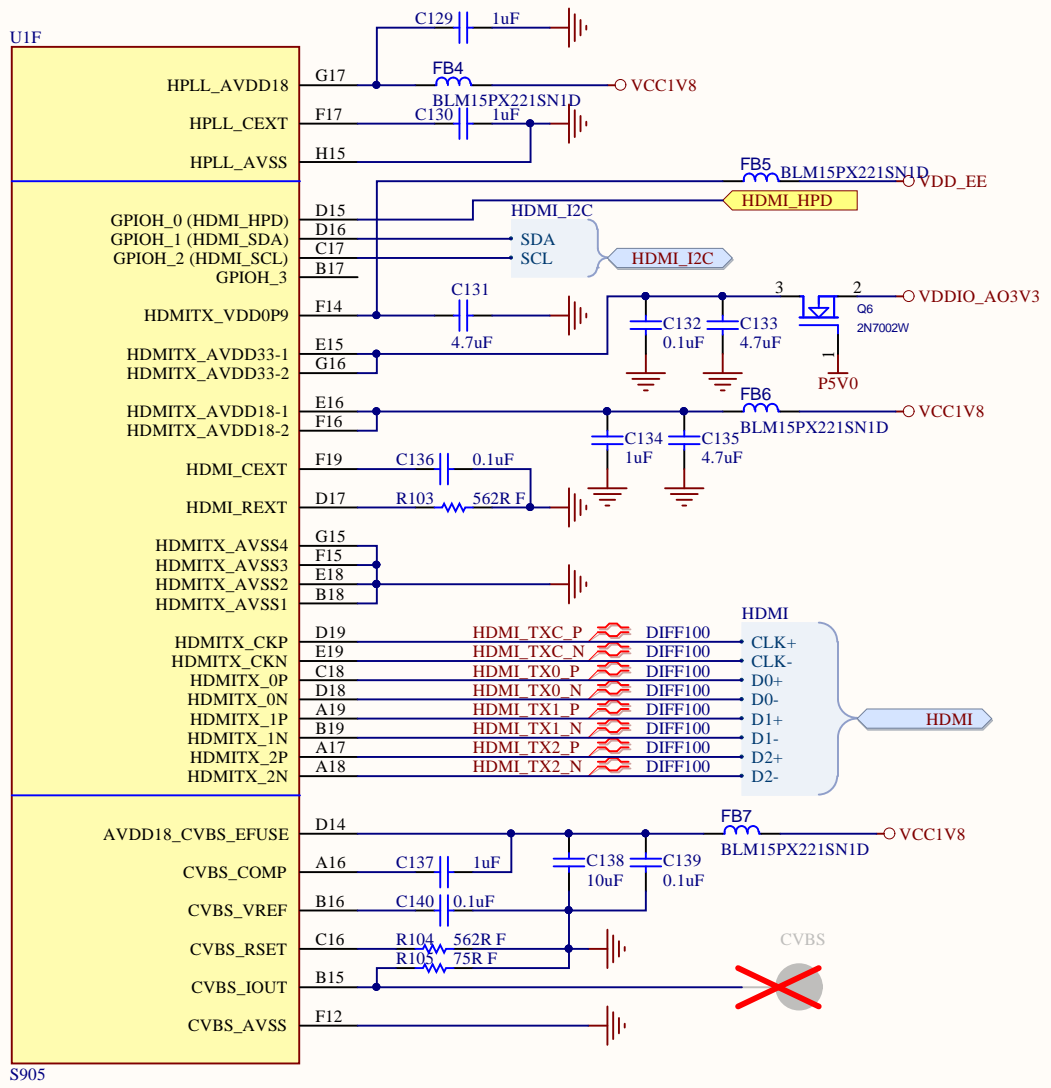
S905



Title S805 IO2			R&D PART	
Size: A4	Number:7	Revision:0.3	704 Anyang K-center 1591-9	
Date: 2016-02-22	Time: 오후 5:12:44	Sheet 7 of 26	Burim Dongan Gu	
File: S905_IO2.SchDoc			Gyeonggido	
			South Korea	
			Designed by: ruppi.kim@hardkernel.com	

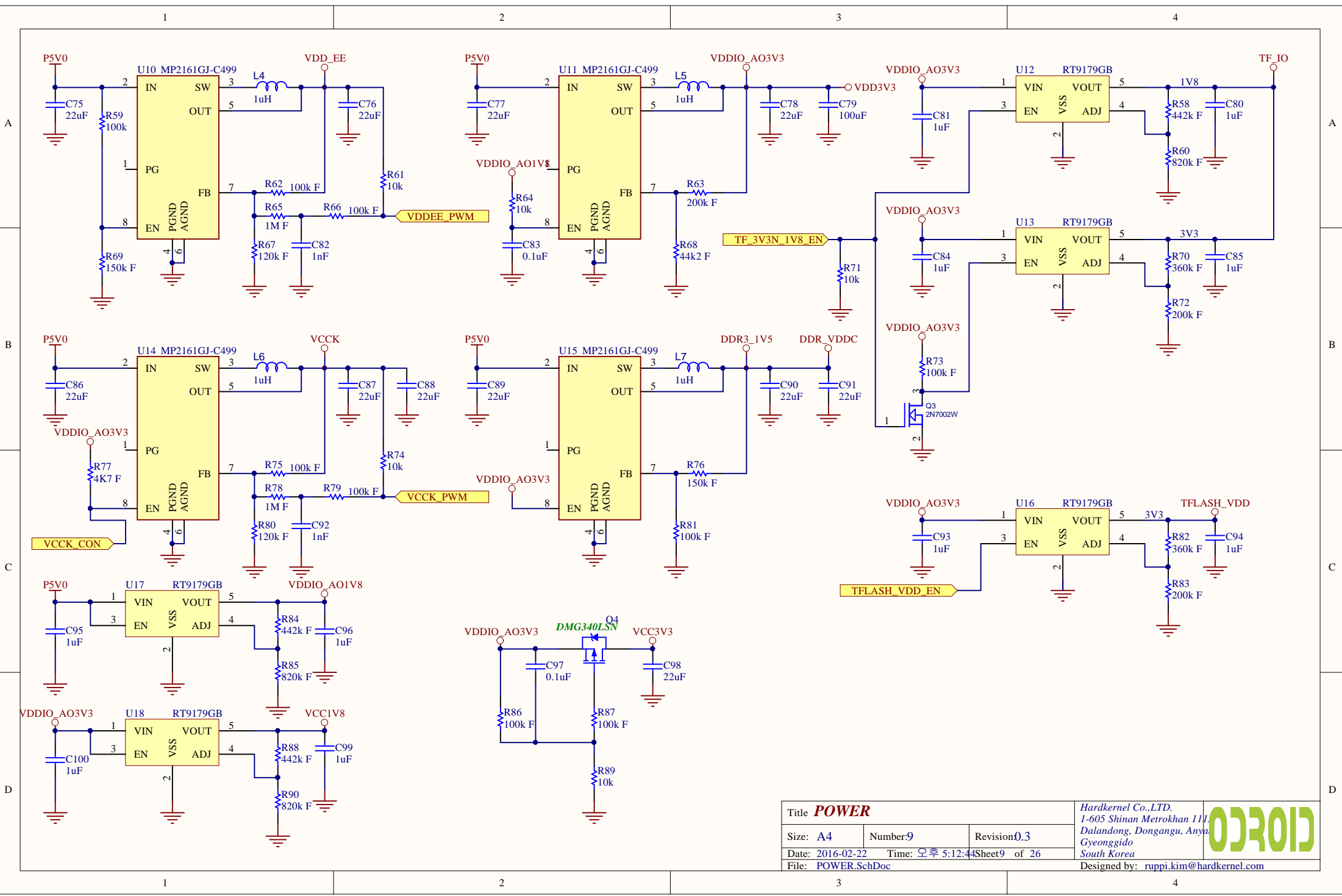


Title S805 USB2 SDB			R&D PART	03ROID
Size: A4	Number:8	Revision:0.3	704 Anyang K-center 1591-9	
Date: 2016-02-22	Time: 오후 5:12:44 Sheet 8 of 26		Burim Dongan Gu	
File: S905_USB_TFLASH.SchDoc			Gyeonggido	
			South Korea	
			Designed by: ruppi.kim@hardkernel.com	

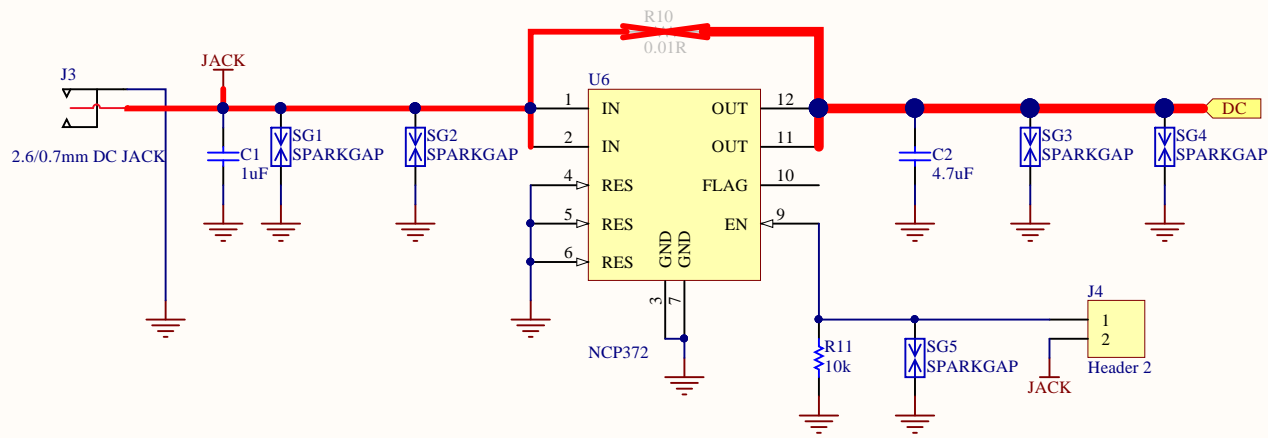



Title S805 HDMI			R&D PART 704 Anyang K-center 1591-9
Size: A4	Number:8	Revision:0.3	Burim Dongan Gu
Date: 2016-02-22	Time: 오후 5:12:44	Sheet:8 of 26	Gyeonggido
File: S905_HDMI.SchDoc			South Korea
			Designed by: ruppi.kim@hardkernel.com

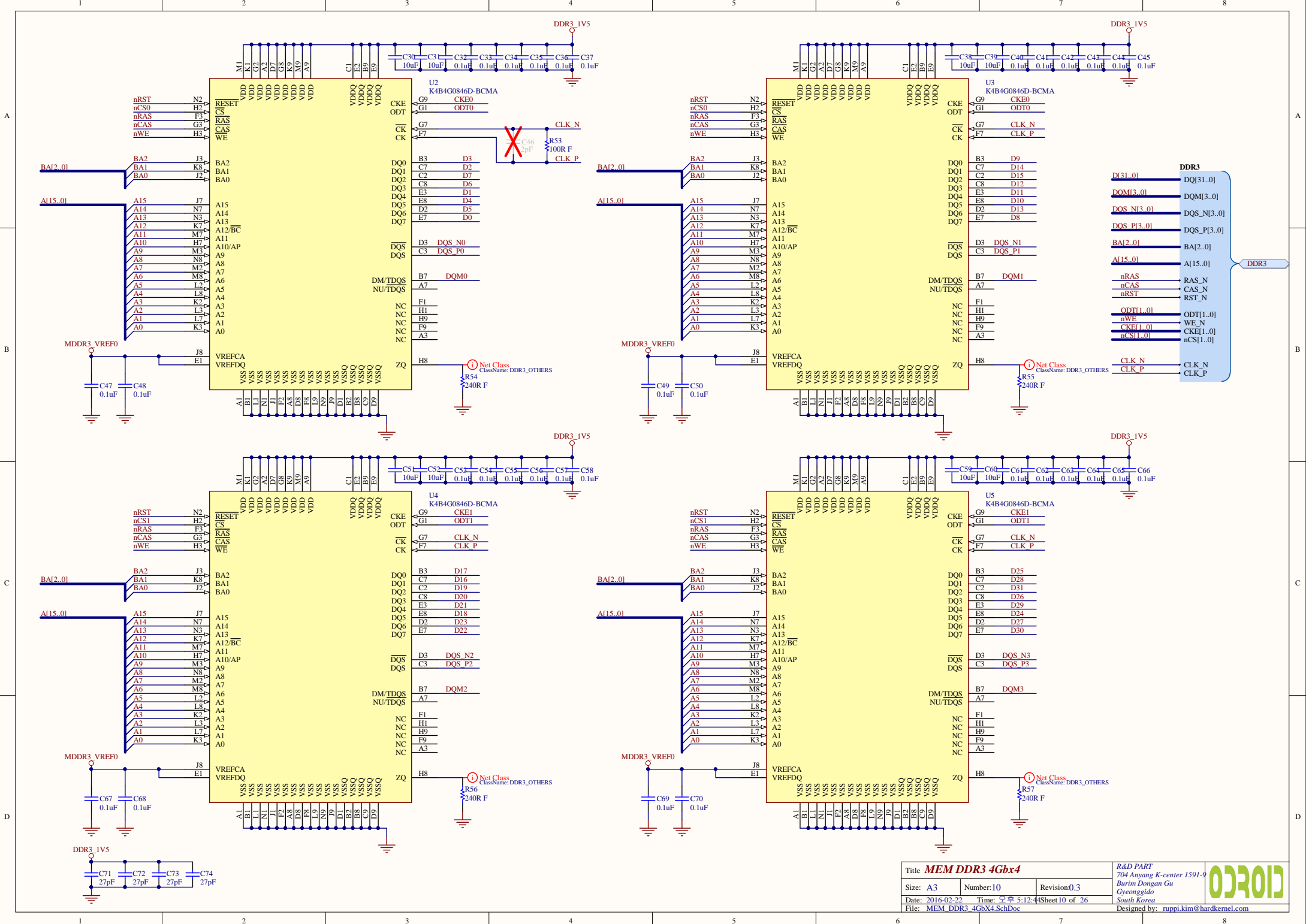




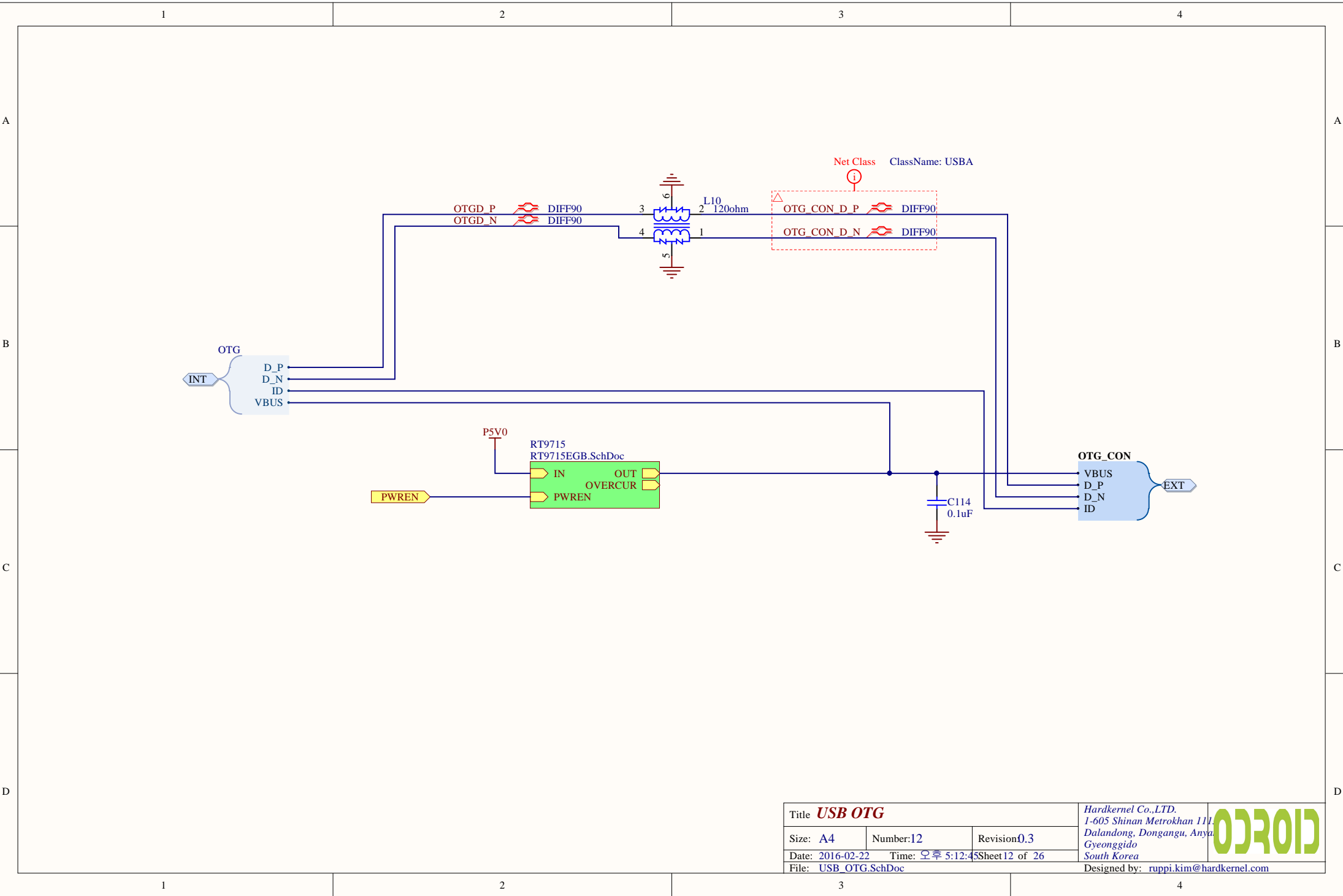
Title POWER			Hardkernel Co.,LTD. 1-605 Shinan Metrokhan 111, Dalandong, Dongangu, Anya Gyeonggido South Korea	
Size: A4	Number:9	Revision:0.3		
Date: 2016-02-22	Time: 오후 5:12:44		Sheet9 of 26	
File: POWER.SchDoc			Designed by: ruppi.kim@hardkernel.com	



Title DC Jack			Hardkernel Co.,LTD. 704 Anyang K-center 1591-9 Burim, Dongangu, Anyang Gyeonggido South Korea
Size: A4	Number:9	Revision:0.3	
Date: 2016-02-22	Time: 오후 5:12:44 Sheet 9 of 26		
File: CON_DCJACK.SchDoc			
Designed by: ruppi.kim@hardkernel.com			

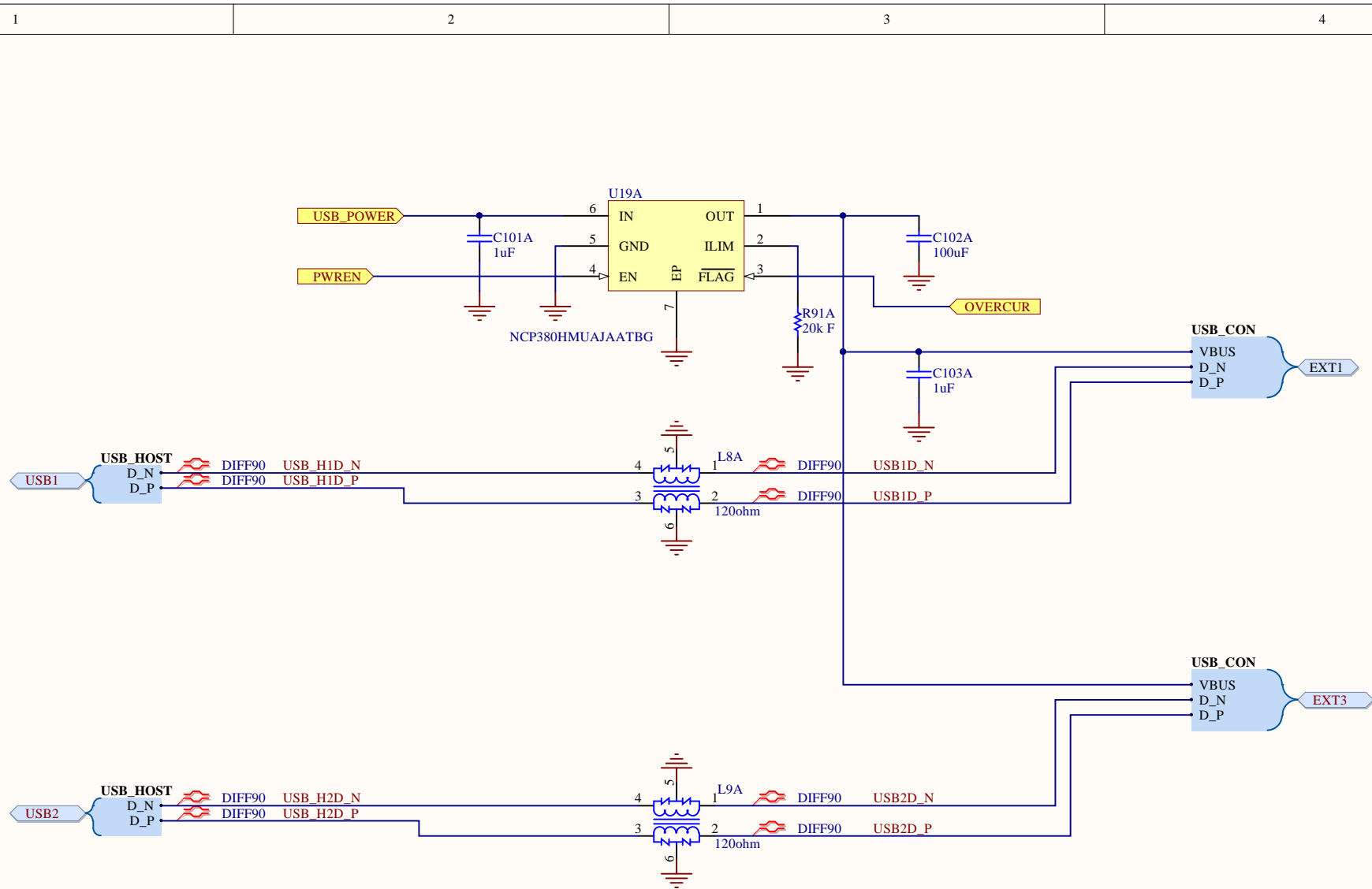


- DDR3**
- D[31..0] DQ[31..0]
 - DOM[3..0] DQM[3..0]
 - DOS_N[3..0] DQS_N[3..0]
 - DOS_P[3..0] DQS_P[3..0]
 - BA[2..0] BA[2..0]
 - A[15..0] A[15..0]
 - nRAS RAS_N
 - nCAS CAS_N
 - nRST RST_N
 - ODT[1..0] ODT[1..0]
 - nWE WE_N
 - CKE[1..0] CKE[1..0]
 - nCS[1..0] nCS[1..0]
 - CLK_N CLK_N
 - CLK_P CLK_P

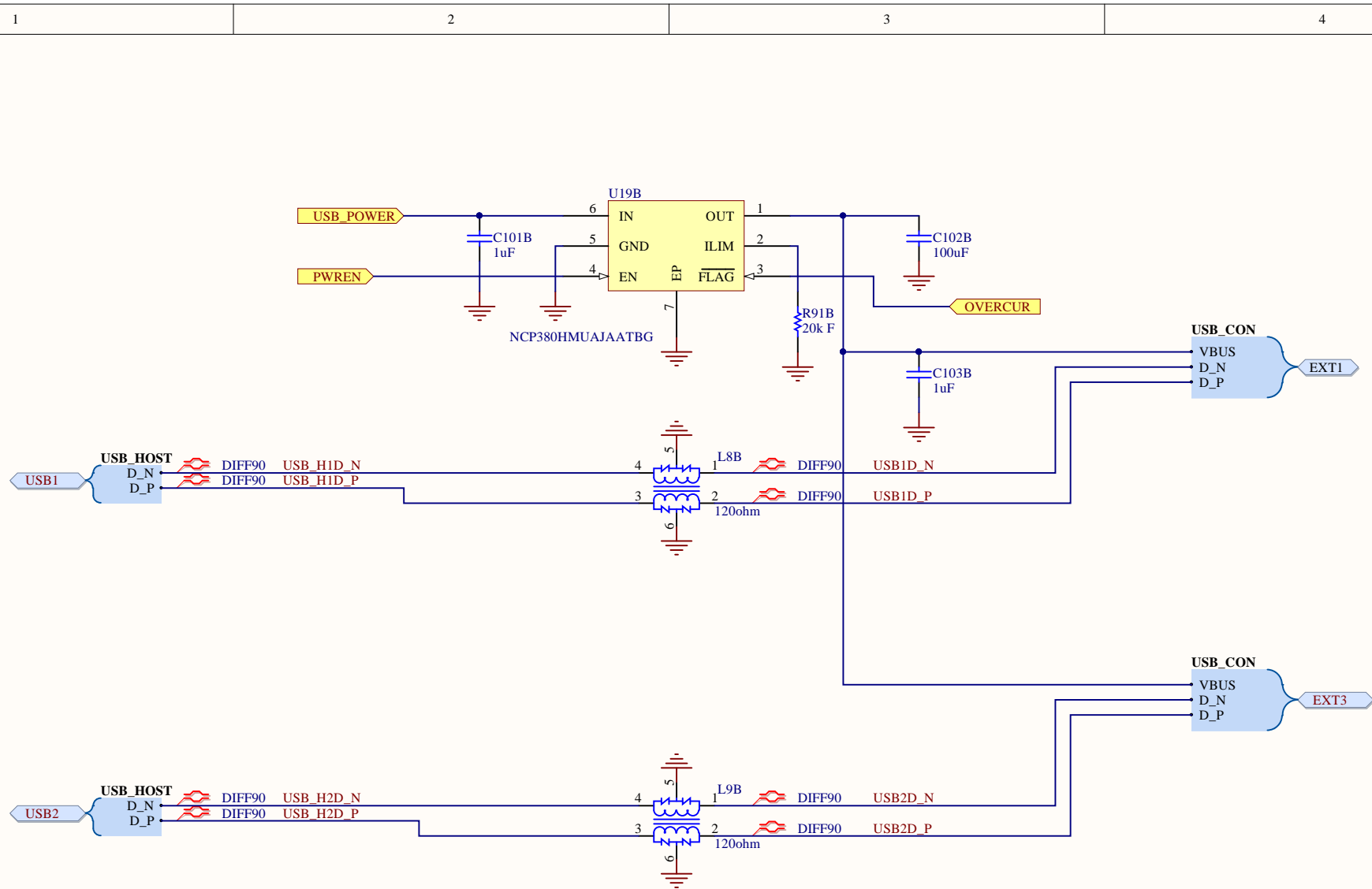


Title USB OTG			Hardkernel Co.,LTD. 1-605 Shinan Metrokhan 111 Dalandong, Dongangu, Anyang Gyeonggido South Korea Designed by: ruppi.kim@hardkernel.com
Size: A4	Number:12	Revision0.3	
Date: 2016-02-22	Time: 오후 5:12:45	Sheet 12 of 26	
File: USB_OTG.SchDoc			

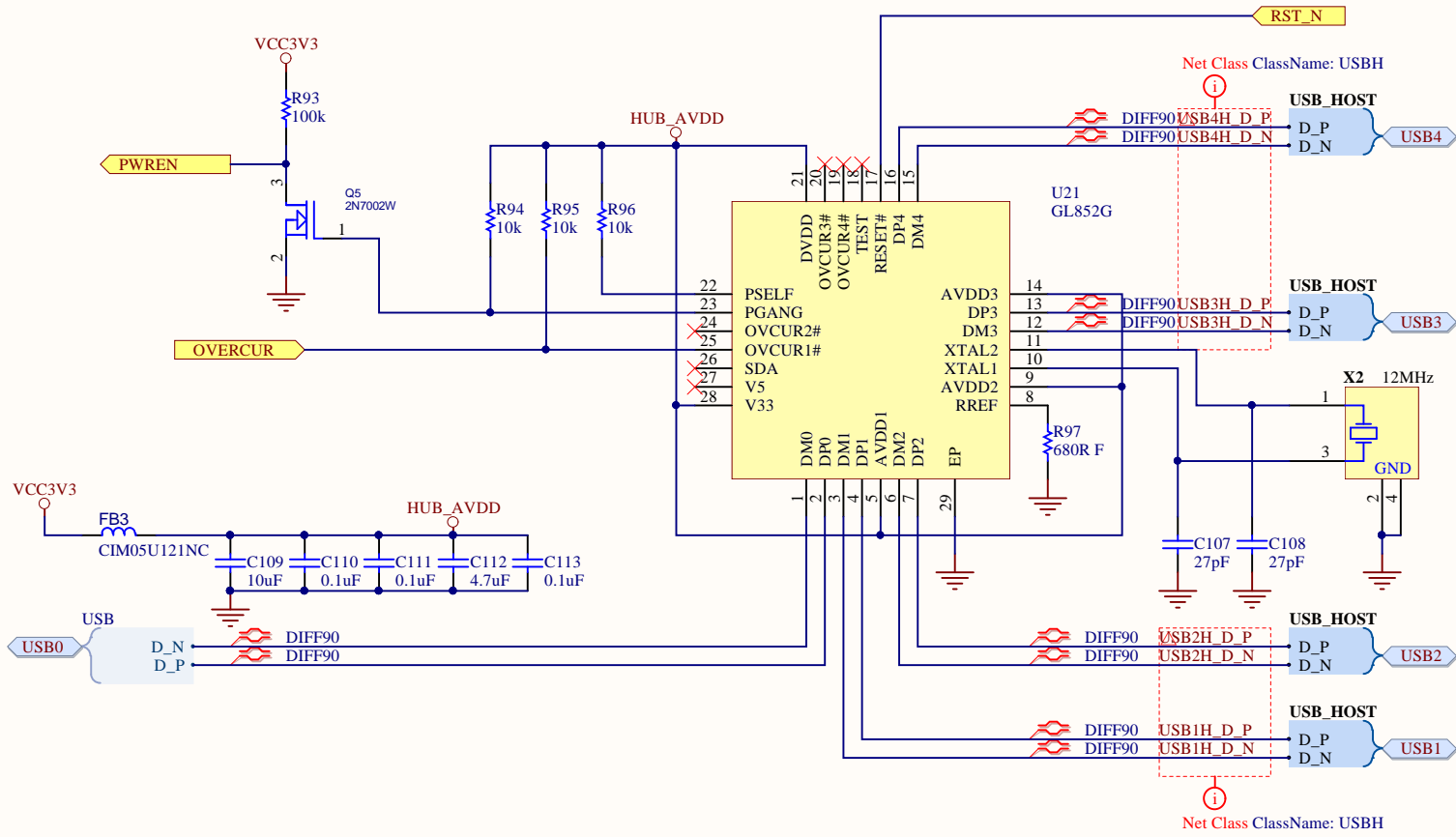





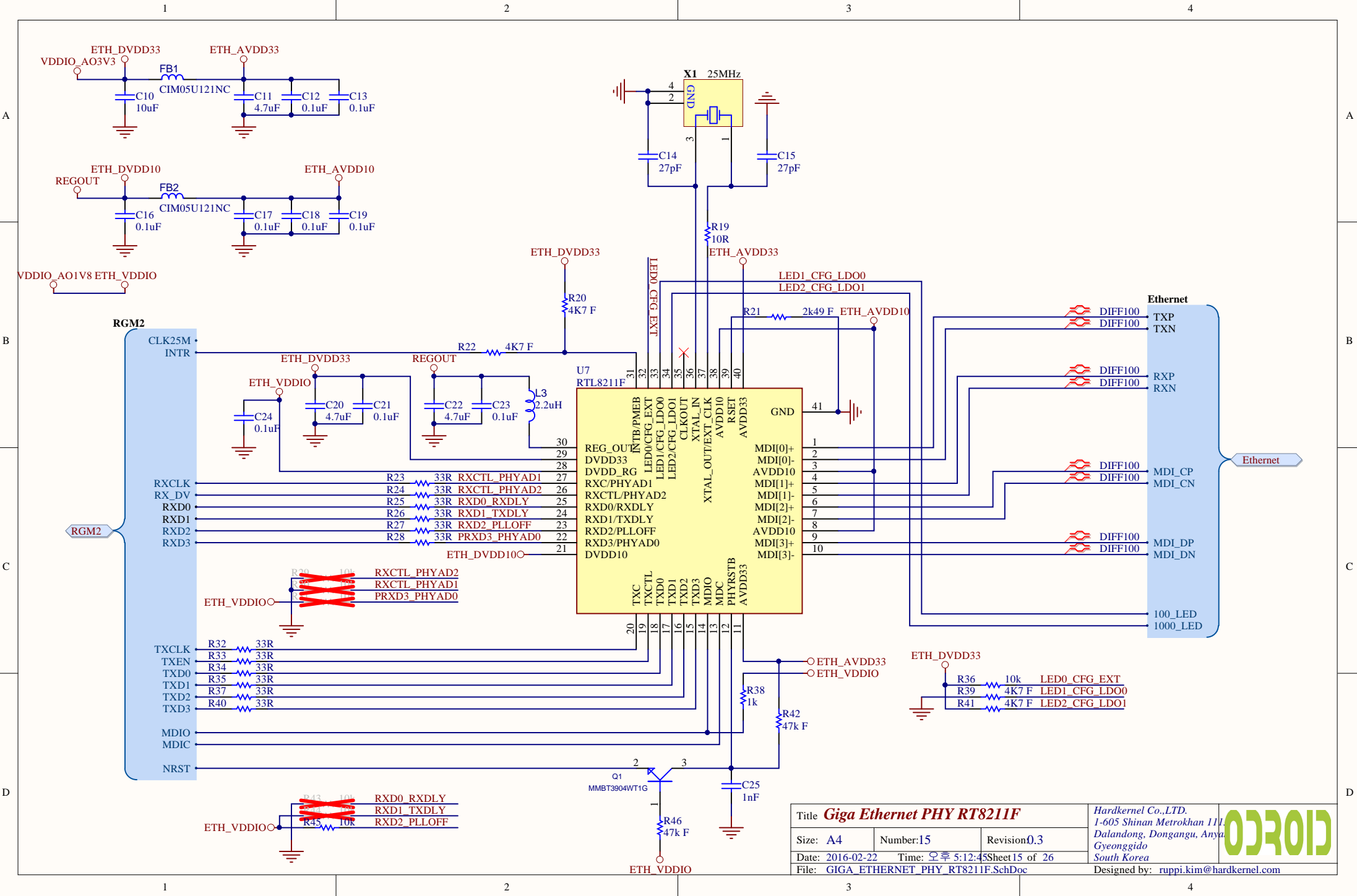
Title USB HOST PWR SW			Hardkernel Co.,LTD. 1-605 Shinan Metrokhan 111, Dalandong, Dongangu, Anyang, Gyeonggido South Korea	OSROID
Size: A4	Number:13	Revision:0.3		
Date: 2016-02-22	Time: 오후 5:12:45	Sheet 13 of 26		
File: USB_HOST_PWR_SW.SchDoc			Designed by: ruppi.kim@hardkernel.com	




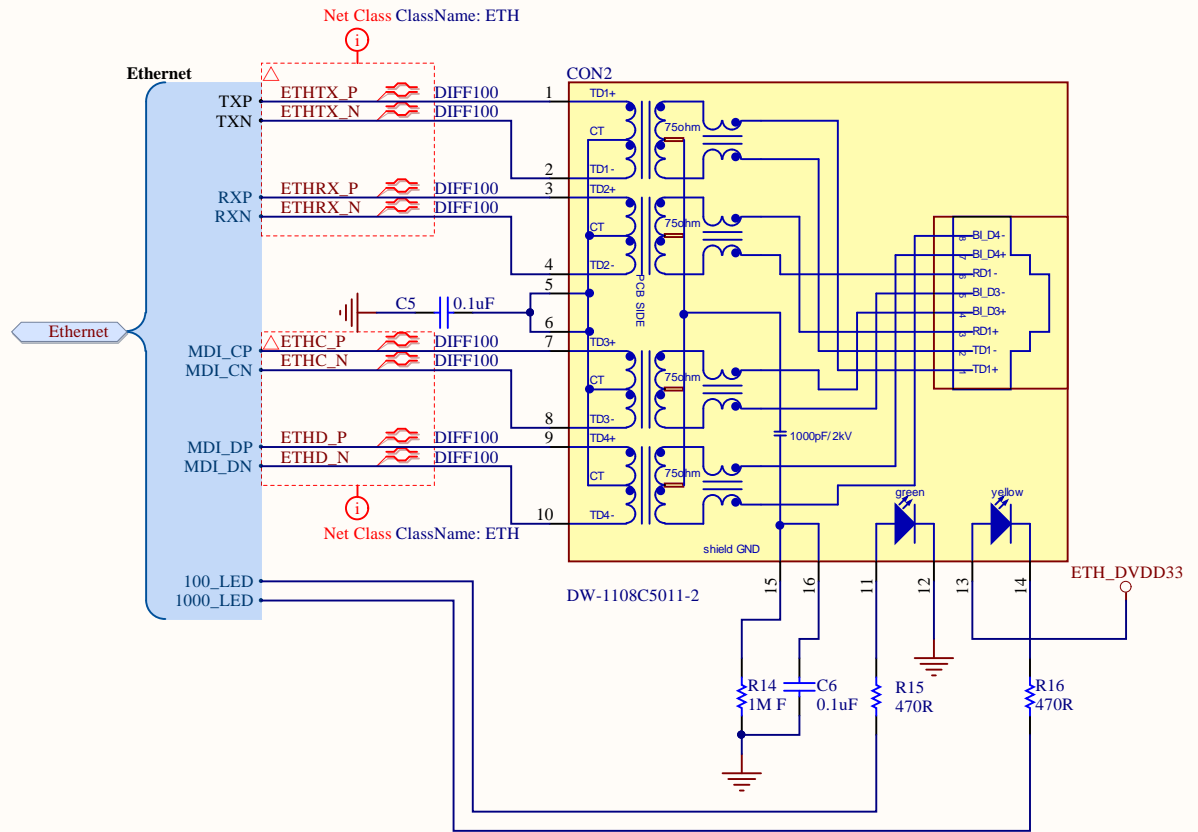
Title USB HOST PWR SW			Hardkernel Co.,LTD. 1-605 Shinan Metrokhan 111, Dalandong, Dongangu, Anyang, Gyeonggido South Korea	ANDROID
Size: A4	Number:13	Revision:0.3		
Date: 2016-02-22	Time: 오후 5:12:45	Sheet 13 of 26		
File: USB_HOST_PWR_SW.SchDoc			Designed by: ruppi.kim@hardkernel.com	



Title USB HUB GL852G-OHG			Hardkernel Co.,LTD. 1-605 Shinan Metrokhan 111, Dalandong, Dongangu, Anya Gyeonggido South Korea 
Size: A4	Number:14	Revision:0.3	
Date: 2016-02-22	Time: 오후 5:12:45	Sheet 14 of 26	
File: USB_HUB_GL852G-OHG.SchDoc			
Designed by: ruppi.kim@hardkernel.com			



Title Giga Ethernet PHY RT8211F			Hardkernel Co.,LTD. 1-605 Shinan Metrokhan 111, Dalandong, Dongangu, Anya Gyeonggido South Korea 
Size: A4	Number:15	Revision:0.3	
Date: 2016-02-22	Time: 오후 5:12:45	Sheet 15 of 26	
File: GIGA_ETHERNET_PHY_RT8211F.SchDoc			
Designed by: ruppi.kim@hardkernel.com			



Title **Giga Ethernet**

Size: A4

Number:16

Revision:0.3

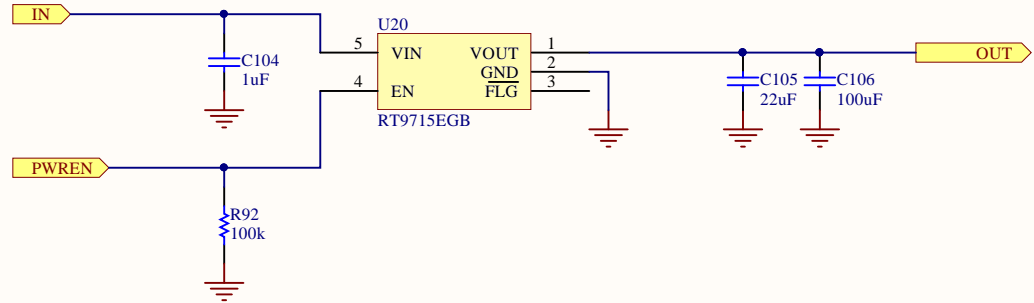
Date: 2016-02-22 Time: 오후 5:12:45 Sheet 16 of 26

File: CON_GIGA_ETH.SchDoc

Hardkernel Co.,LTD.
704 Anyang K-center 1591-9
Burim, Dongangu, Anyang
Gyeonggido
South Korea



Designed by: ruppi.kim@hardkernel.com



Title USB HOST Power Switch			Hardkernel Co.,LTD. 704 Anyang K-center 1591-9 Burim, Dongangu, Anyang Gyeonggido South Korea Designed by: ruppi.kim@hardkernel.com
Size: A4	Number:17	Revision0.3	
Date: 2016-02-22	Time: 오후 5:12:45 Sheet 17 of 26		
File: RT9715EGB.SchDoc			



1

2

3

4

A

A

B

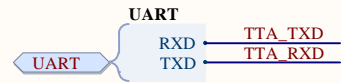
B


C

C

D

D



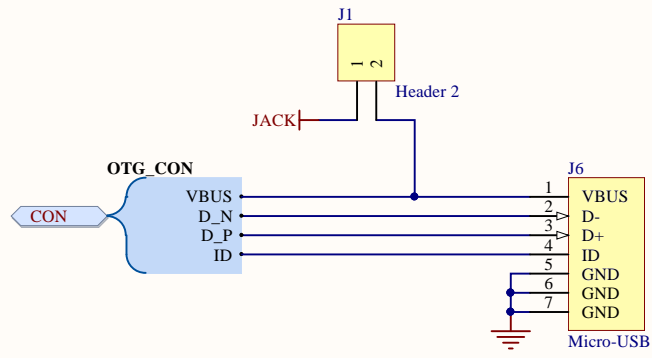
Title CON_UART			Hardkernel Co.,LTD. 704 Anyang K-center 1591-9 Burim, Dongangu, Anyang Gyeonggido South Korea 
Size: A4	Number:18	Revision0.3	
Date: 2016-02-22	Time: 오후 5:12:45 Sheet 18 of 26		
File: CON_UART.SchDoc			
Designed by: ruppi.kim@hardkernel.com			


1

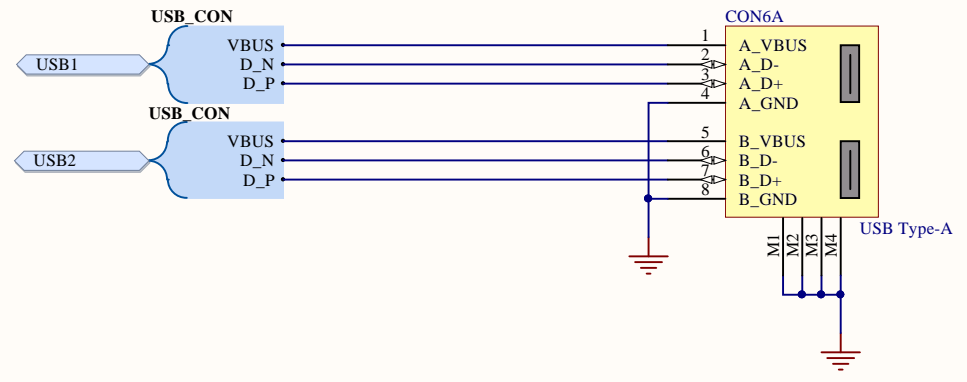
2

3

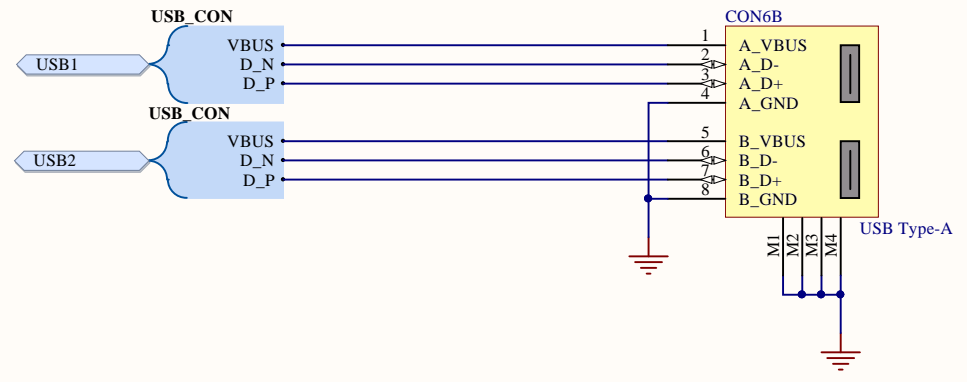
4



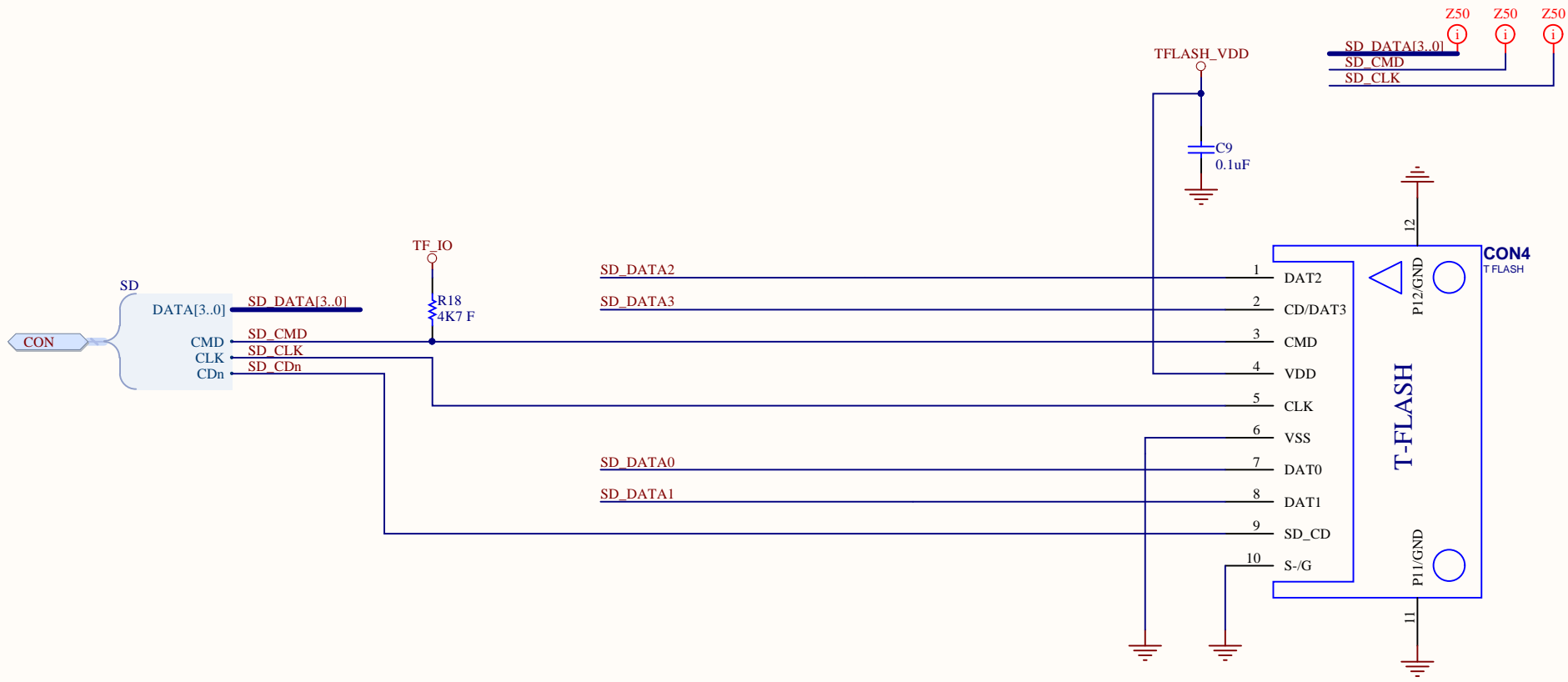
Title Micro USB Connector			Hardkernel Co.,LTD. 704 Anyang K-center 1591-5 Burim, Dongangu, Anyang Kyeonggido South Korea Designed by: ruppi.kim@hardkernel.com	
Size: A4	Number:19	Revision:0.3		
Date: 2016-02-22	Time: 오후 5:12:45 Sheet 19 of 26			
File: CON_MICROUSB.SchDoc				



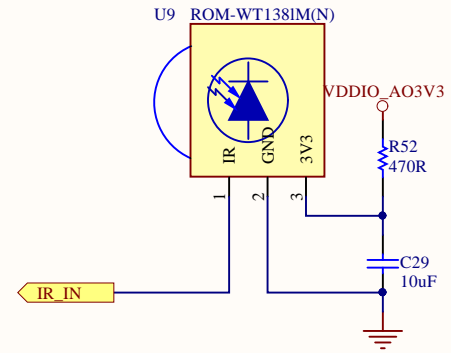
Title USB 2.0 Type A Connector			Hardkernel Co.,LTD. 1-605 Shinan Metrokhan 111, Dalandong, Dongangu, Anyang, Gyeonggido South Korea	
Size: A4	Number:20	Revision:0.3		
Date: 2016-02-22	Time: 오후 5:12:45	Sheet:20 of 26		
File: CON_USB_RA.SchDoc			Designed by: ruppi.kim@hardkernel.com	



Title USB 2.0 Type A Connector			Hardkernel Co.,LTD. 1-605 Shinan Metrokhan 111 Dalandong, Dongangu, Anyang Gyeonggido South Korea	
Size: A4	Number:20	Revision:0.3		
Date: 2016-02-22	Time: 오후 5:12:45	Sheet:20 of 26		
File: CON_USB_RA.SchDoc			Designed by: ruppi.kim@hardkernel.com	



Title Micro SD Socket			Hardkernel Co.,LTD. 704 Anyang K-center 1591-9 Burim, Dongangu, Anyang Gyeonggido South Korea	
Size: A4	Number:21	Revision:0.3		
Date: 2016-02-22	Time: 오후 5:12:45	Sheet:21 of 26	Designed by: ruppi.kim@hardkernel.com	
File: CON_MICROSD_HD08-AL00335.SchDoc				



Title Remote Control Receiver			<i>Hardkernel Co.,LTD.</i> 1-605 Shinan Metrokhan 111 Dalandong, Dongangu, Anyang Gyeonggido South Korea Designed by: ruppi.kim@hardkernel.com
Size: A4	Number:22	Revision:0.3	
Date: 2016-02-22	Time: 오후 5:12:45 Sheet 22 of 26		
File: IR.SchDoc			



1

2

3

4

A

A

B

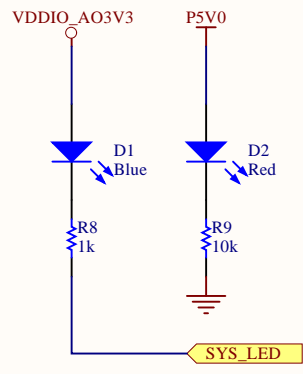
B


C

C

D

D



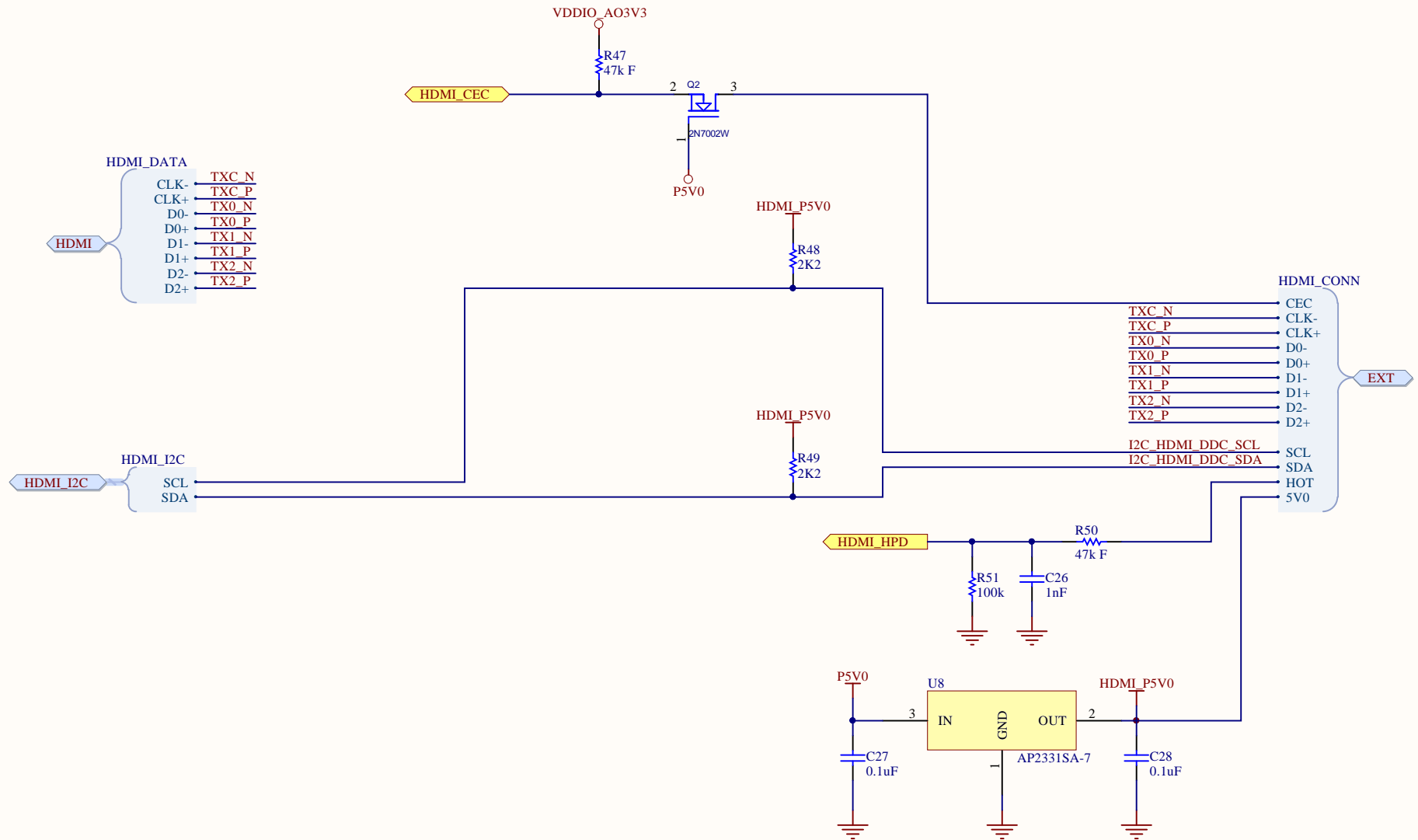
Title LEDs			Hardkernel Co.,LTD. 704 Anyang K-center 1591-9 Burim Dongan Gu Gyeonggido South Korea	
Size: A4	Number:23	Revision:0.3		
Date: 2016-02-22	Time: 오후 5:12:45 Sheet 23 of 26		Designed by: ruppi.kim@hardkernel.com	
File: C_LEDS.SchDoc				

1

2

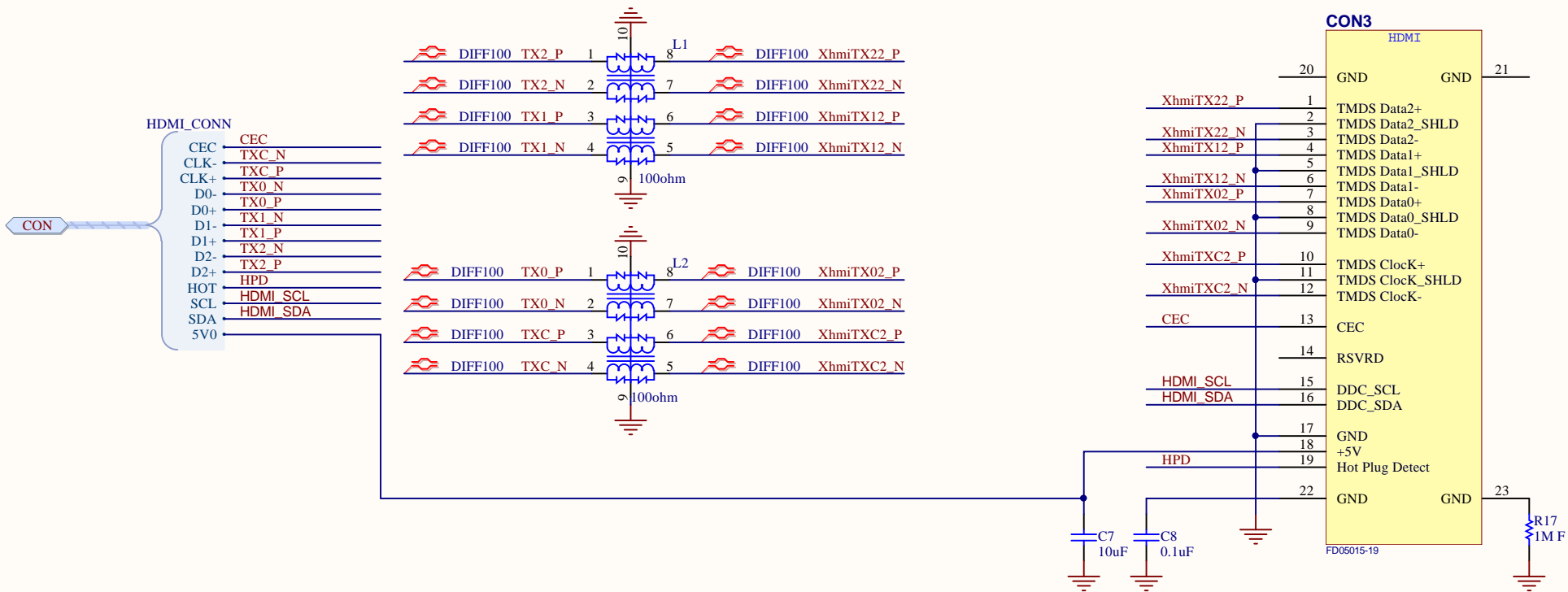
3

4

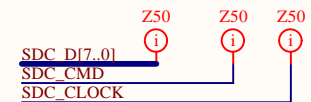
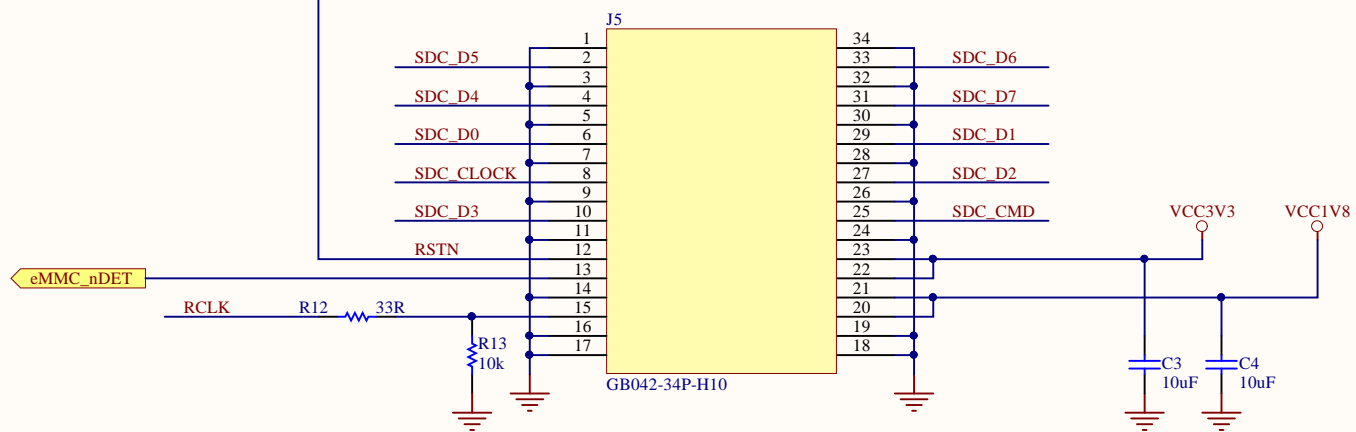
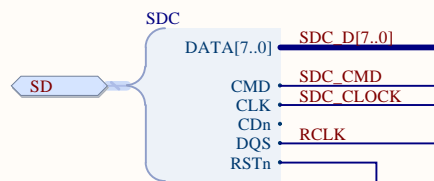


Title HDMI 2C			Hardkernel Co.,LTD. 704 Anyang K-center 1591-5 Burim, Dongangu, Anyang Kyeongido South Korea Designed by: ruppi.kim@hardkernel.com
Size: A4	Number:24	Revision:0.3	
Date: 2016-02-22	Time: 오후 5:12:45	Sheet 24 of 26	
File: HDMI_I2C.SchDoc			





Title HDMI Connector			Hardkernel Co.,LTD. 704 Anyang K-center 1591-5 Burim, Dongangu, Anyang Kyeonggido South Korea	
Size: A4	Number:25	Revision:0.3		
Date: 2016-02-22	Time: 오후 5:12:45	Sheet:25 of 26	Designed by: ruppi.kim@hardkernel.com	
File: CON_HDMI.SchDoc				



Title **CON_EMMC**

Size: A4

Number:26

Revision:0.3

Date: 2016-02-22

Time: 오후 5:12:45 Sheet 26 of 26

File: CON_EMMC.SchDoc

Hardkernel Co.,LTD.
704 Anyang K-center 1591-9
Burim Dongan Gu
Gyeonggido
South Korea



Designed by: ruppi.kim@hardkernel.com